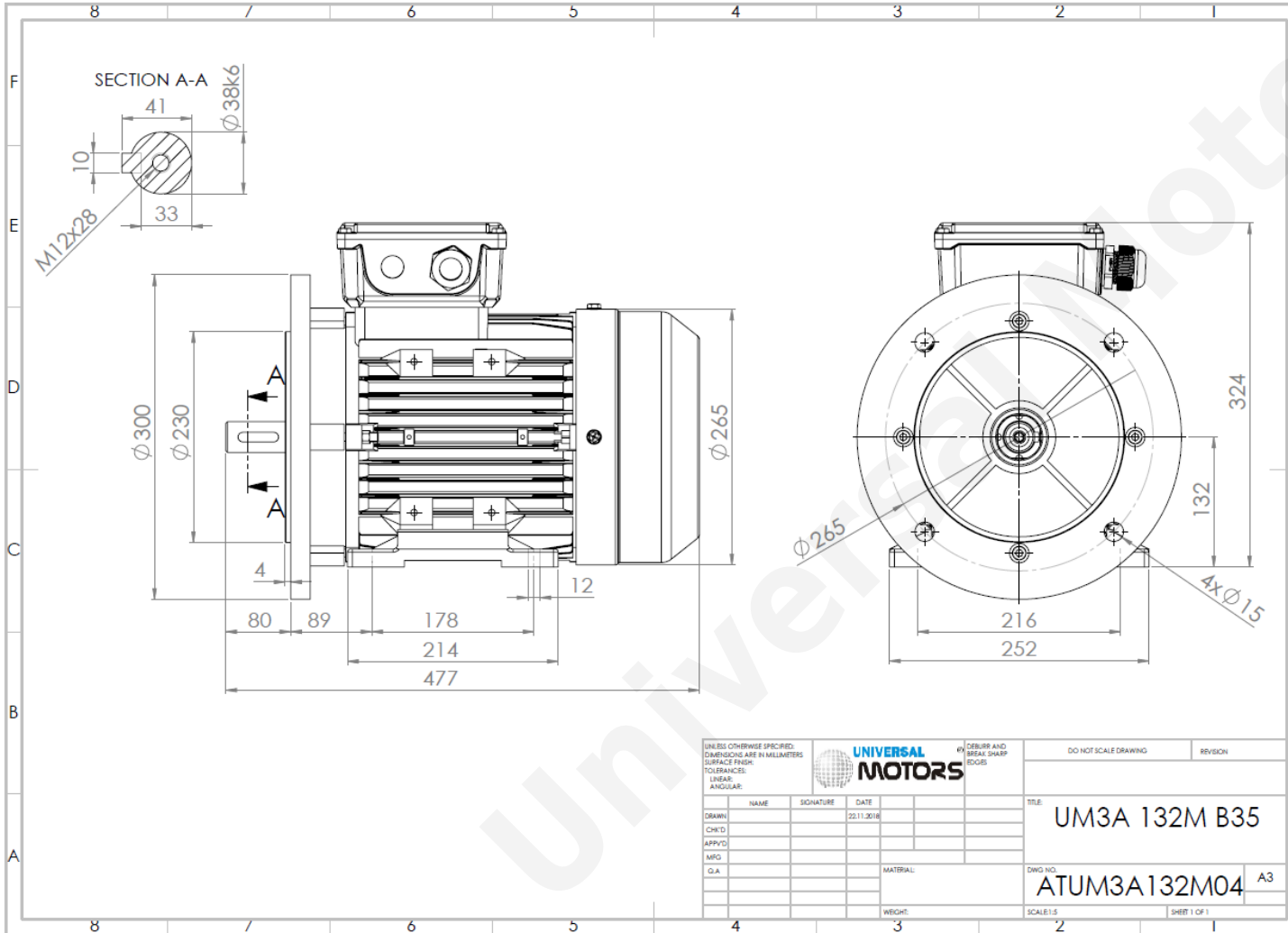



TECHNICAL DATA

Three Phase Electric Motors - Aluminum Frame
 UM3A 132M-6 IE3
 4.0 kW / 5.5 Cv
 965 RPM



Motor type:	UM3A 132M-6 IE3
Output:	4.0 kW / 5.5 Cv
Speed (min ⁻¹):	965 RPM
Voltage:	400 V
Frequency:	50 Hz
Current:	9.0 A
Power factor (Cos Ø):	0.74
Poles:	6
Insulation class:	F
Temperature rise Class:	B
Efficiency 50%:	84.6 %
Efficiency 75%:	87.1 %
Efficiency 100%:	86.8 %
Torque:	39.6 N.m
Tstarting/Tnominal:	2.0
Istarting/Inominal:	6.8
Tmaximum/Tnominal:	2.1
Noise:	73 Db(A)
Weight:	51.0 Kg
Bearing DE:	6308 2Z C3
Bearing NDE:	6308 2Z C3

UNLESS OTHERWISE SPECIFIED: DIMENSIONS ARE IN MILLIMETERS SURFACE FINISH: TOLERANCES: LINEAR: ANGULAR:						#1 DEBURR AND #2 BRUSH AND #3 BRUSH SHARP EDGES		DO NOT SCALE DRAWING		REVISION	
DRAWN	NAME	SIGNATURE	DATE	TITLE: UM3A 132M B35				DWG NO. ATUM3A132M04			
CHK'D			22.11.2018					SCALE: 1:1			
APPV'D								SHEET 1 OF 1			
MFG											
Q.A.											
				MATERIAL:							
				WEIGHT:							

Regime - S1

Altitude - 1000m

Environment Temperature - 40°C

CONTACTS:

Universal Motors UK, Ltd
 Unit E2, Meltham Mills Industrial Estate, Meltham Mills Road, Meltham, Holmfirth
 West Yorkshire HD9 4AR, U.K

Tel: +44(0) 1484 660 222
 Fax: +44(0) 1484 660 333
 Mail: enquiries@universalmotors-group.co.uk

* References applied only in the UK