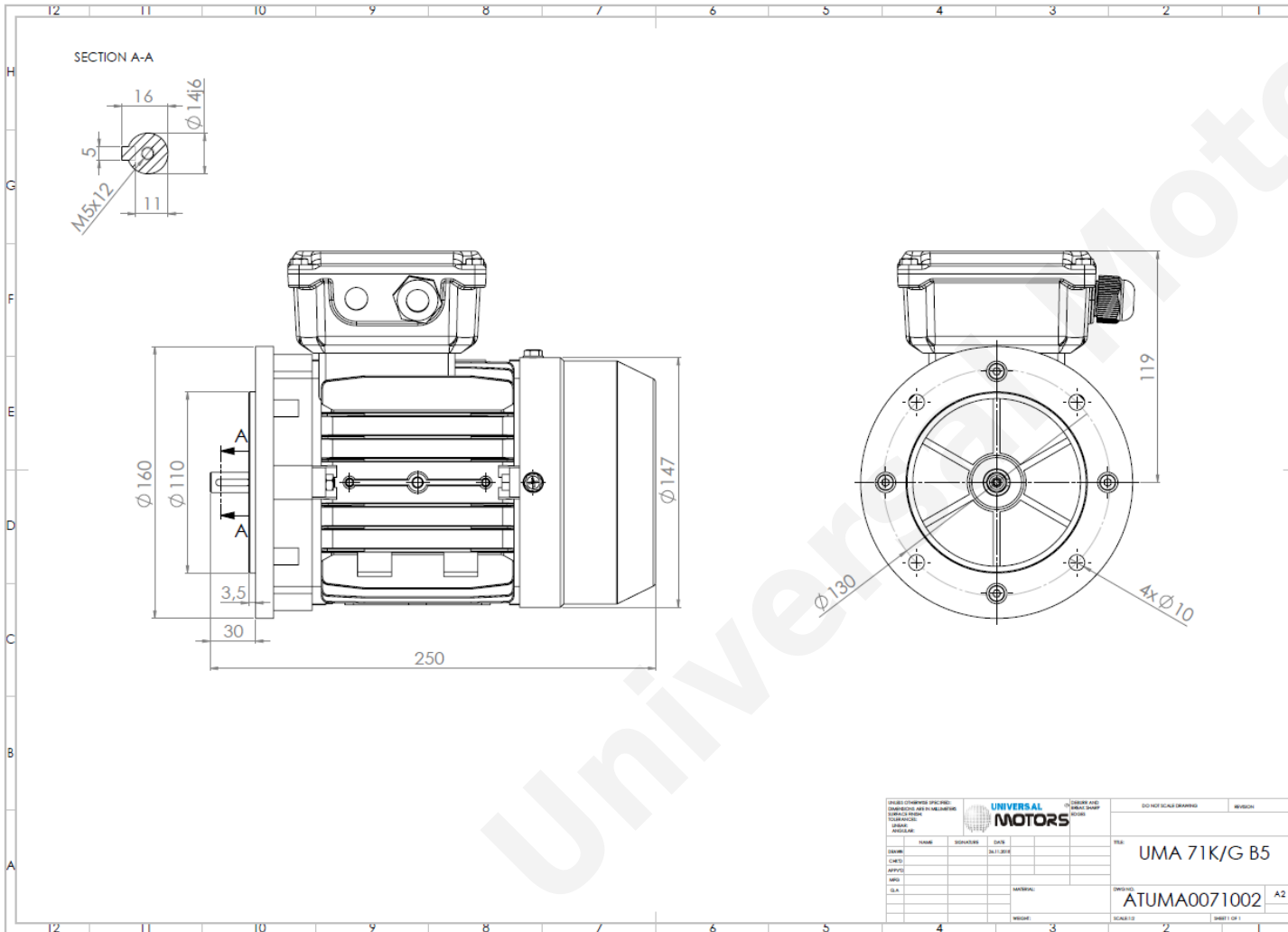


TECHNICAL DATA

Three Phase Electric Motors - Aluminum Frame
 UMHA 71K-6
 0.18 kW / 0.25 Cv
 890 RPM



Motor type:	UMHA 71K-6
Output:	0.18 kW / 0.25 Cv
Speed (min ⁻¹):	890 RPM
Voltage:	400 V
Frequency:	50 Hz
Current:	0.7 A
Power factor (Cos ϕ):	0.64
Poles:	6
Insulation class:	F
Temperature rise Class:	B
Efficiency 50%:	46.4 %
Efficiency 75%:	54.2 %
Efficiency 100%:	56.6 %
Torque:	1.93 N.m
Tstarting/Tnominal:	2.0
Istarting/Inominal:	3.0
Tmaximum/Tnominal:	2.1
Noise:	63 Db(A)
Weight:	5.7 Kg
Bearing DE:	6202 2Z C3
Bearing NDE:	6202 2Z C3

UNIVERSAL MOTORS		UNIVERSAL MOTORS		DO NOT SCALE DRAWING		REVISION	
DATE	NAME	DESIGNER	DATE	REV	DESCRIPTION	REV	DESCRIPTION
DRAWING NO: ATUMA0071002				SCALE: 1:1		SHEET 1 OF 1	

Regime - S1

Altitude - 1000m

Environment Temperature - 40°C

CONTACTS:

Universal Motors UK, Ltd
 Unit E2, Meltham Mills Industrial Estate, Meltham Mills Road, Meltham, Holmfirth
 West Yorkshire HD9 4AR, U.K

Tel: +44(0) 1484 660 222

Fax: +44(0) 1484 660 333

Mail: enquiries@universalmotors-group.co.uk

* References applied only in the UK