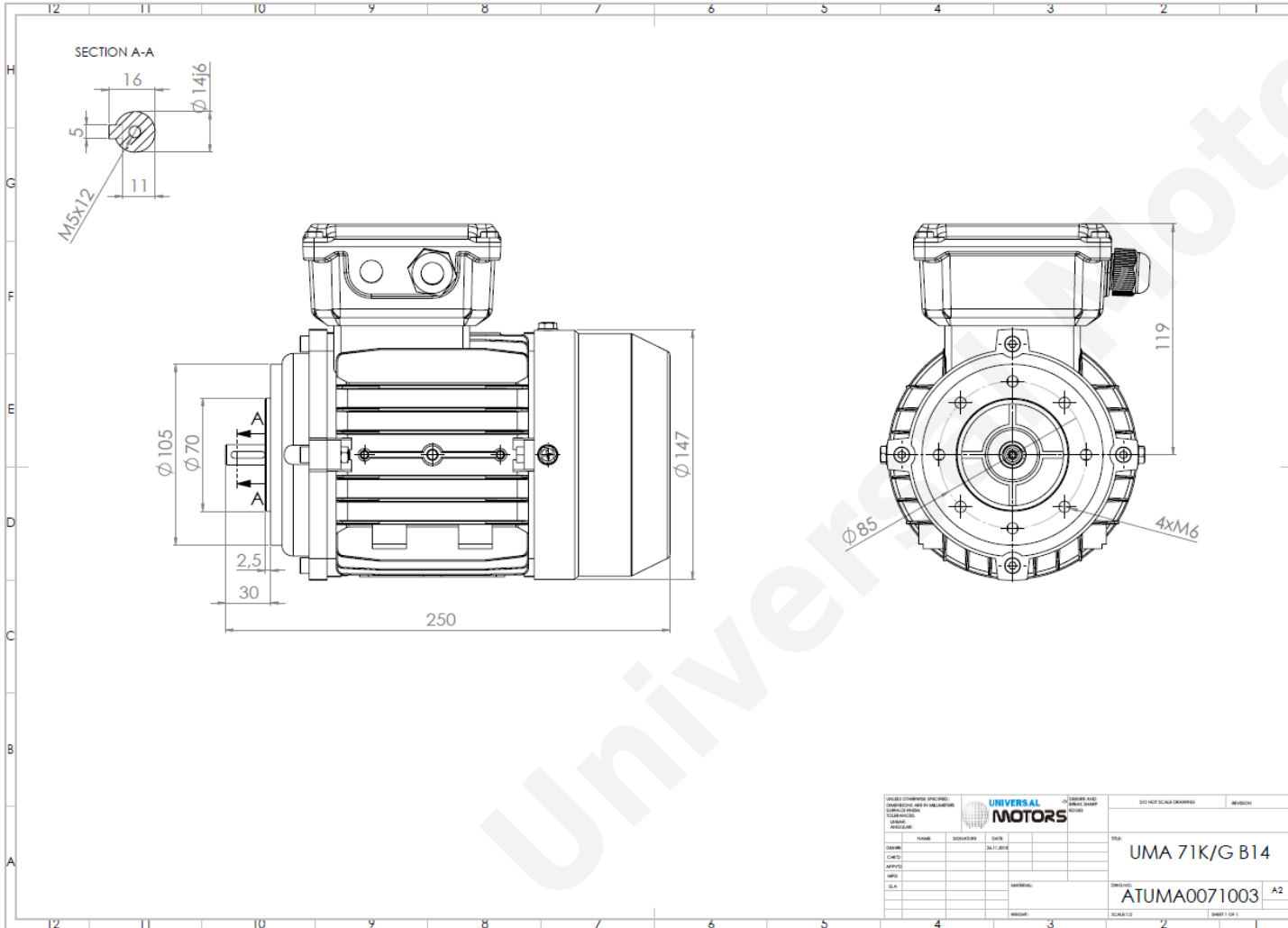


# TECHNICAL DATA

Three Phase Electric Motors - Aluminum Frame  
**UMHA 71KG6**  
 0.25 kW / 0.33 Cv  
 890 RPM



Motor type:	<b>UMHA 71KG6</b>
Output:	<b>0.25 kW / 0.33 Cv</b>
Speed ( $\text{min}^{-1}$ ):	<b>890 RPM</b>
Voltage:	<b>400 V</b>
Frequency:	<b>50 Hz</b>
Current:	<b>0.9 A</b>
Power factor ( $\text{Cos } \varnothing$ ):	<b>0.63</b>
Poles:	<b>6</b>
Insulation class:	<b>F</b>
Temperature rise Class:	<b>B</b>
Efficiency 50%:	<b>51.8 %</b>
Efficiency 75%:	<b>59.2 %</b>
Efficiency 100%:	<b>61.6 %</b>
Torque:	<b>2.68 N.m</b>
Tstarting/Tnominal:	<b>2.0</b>
Istarting/Inominal:	<b>5.5</b>
Tmaximum/Tnominal:	<b>2.1</b>
Noise:	<b>63 Db(A)</b>
Weight:	<b>6.2 Kg</b>
Bearing DE:	<b>6202 2Z C3</b>
Bearing NDE:	<b>6202 2Z C3</b>

UNIVERSAL MOTORS		DO NOT SCALE DRAWING		REVISION
DATE	NAME	DESIGNER	DATE	REV
DRAWING NO: <b>ATUMA0071003</b>			A2	
MATERIAL			SCALE 1:1	
WEIGHT			SHEET 1 OF 1	

Regime - S1

Altitude - 1000m

Environment Temperature - 40°C

### CONTACTS:

Universal Motors UK, Ltd  
 Unit E2, Meltham Mills Industrial Estate, Meltham Mills Road, Meltham, Holmfirth  
 West Yorkshire HD9 4AR, U.K

Tel: +44(0) 1484 660 222

Fax: +44(0) 1484 660 333

Mail: [enquiries@universalmotors-group.co.uk](mailto:enquiries@universalmotors-group.co.uk)

\* References applied only in the UK