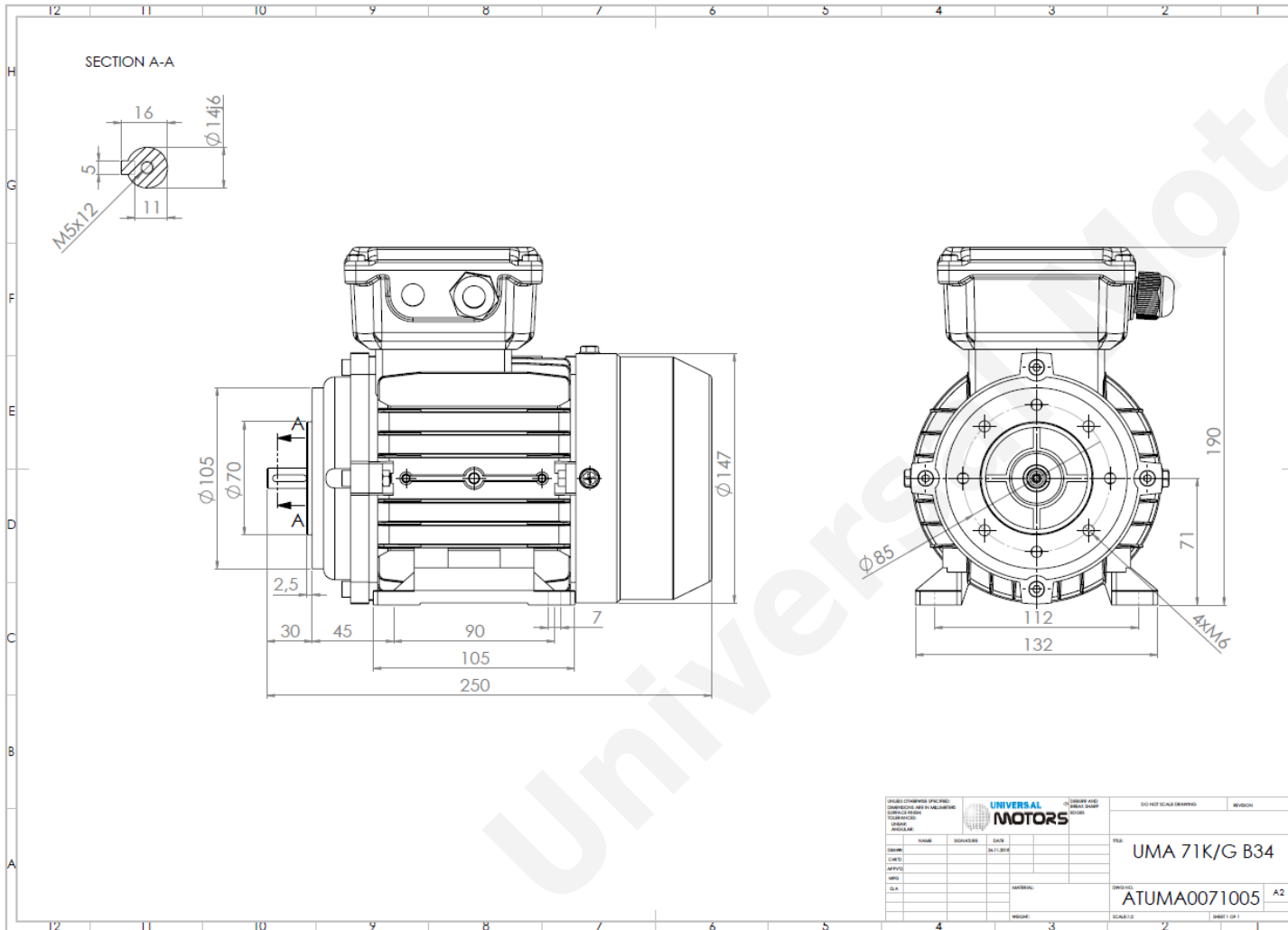


# TECHNICAL DATA

Three Phase Electric Motors - Aluminum Frame  
 UMHA 71KG6  
 0.25 kW / 0.33 Cv  
 890 RPM



|                             |                          |
|-----------------------------|--------------------------|
| Motor type:                 | <b>UMHA 71KG6</b>        |
| Output:                     | <b>0.25 kW / 0.33 Cv</b> |
| Speed (min <sup>-1</sup> ): | <b>890 RPM</b>           |
| Voltage:                    | <b>400 V</b>             |
| Frequency:                  | <b>50 Hz</b>             |
| Current:                    | <b>0.9 A</b>             |
| Power factor (Cos $\phi$ ): | <b>0.63</b>              |
| Poles:                      | <b>6</b>                 |
| Insulation class:           | <b>F</b>                 |
| Temperature rise Class:     | <b>B</b>                 |
| Efficiency 50%:             | <b>51.8 %</b>            |
| Efficiency 75%:             | <b>59.2 %</b>            |
| Efficiency 100%:            | <b>61.6 %</b>            |
| Torque:                     | <b>2.68 N.m</b>          |
| Tstarting/Tnominal:         | <b>2.0</b>               |
| Istarting/Inominal:         | <b>5.5</b>               |
| Tmaximum/Tnominal:          | <b>2.1</b>               |
| Noise:                      | <b>63 Db(A)</b>          |
| Weight:                     | <b>6.2 Kg</b>            |
| Bearing DE:                 | <b>6202 2Z C3</b>        |
| Bearing NDE:                | <b>6202 2Z C3</b>        |

|                  |      |                      |      |              |
|------------------|------|----------------------|------|--------------|
| UNIVERSAL MOTORS |      | DO NOT SCALE DRAWING |      | REVISION     |
| DESIGN           | NAME | DATE                 | YEAR |              |
| CHIEF            |      |                      |      |              |
| ENGINEER         |      |                      |      |              |
| DRAWN            |      |                      |      |              |
| SLA              |      |                      |      |              |
| MATERIAL:        |      | ORIGINAL:            |      | A2           |
|                  |      | ATUMA0071005         |      |              |
| WEIGHT:          | 3    | SCALE:               | 1:1  | SHEET 1 OF 1 |

Regime - S1

Altitude - 1000m

Environment Temperature - 40°C

**CONTACTS:**

Universal Motors UK, Ltd  
 Unit E2, Meltham Mills Industrial Estate, Meltham Mills Road, Meltham,  
 Holmfirth  
 West Yorkshire HD9 4AR, U.K

Tel: +44(0) 1484 660 222  
 Fax: +44(0) 1484 660 333  
 Mail: [enquiries@universalmotors-group.co.uk](mailto:enquiries@universalmotors-group.co.uk)

\* References applied only in the UK