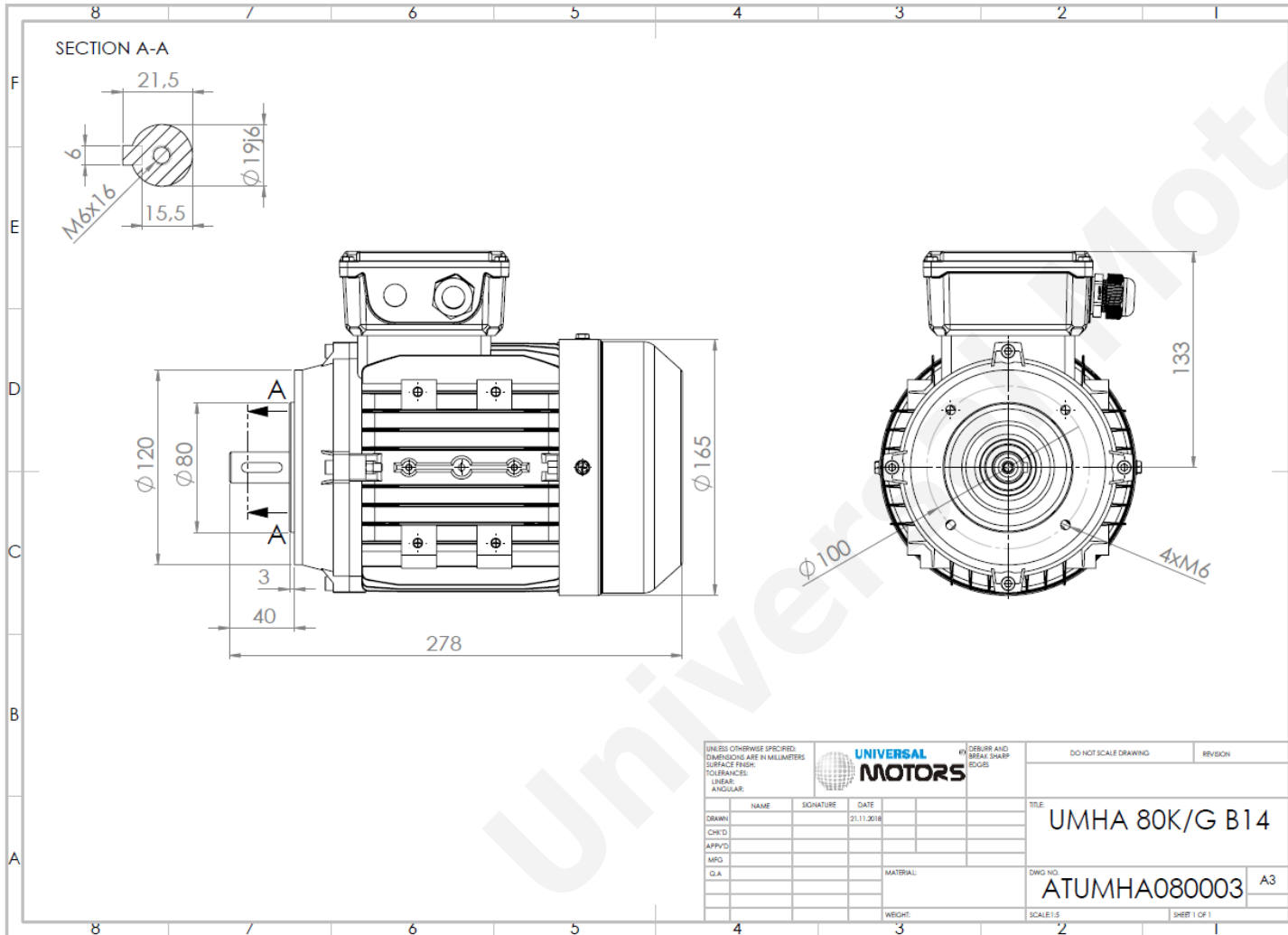


TECHNICAL DATA

Three Phase Electric Motors - Aluminum Frame
UMHA 80G-6
 0.55 kW / 0.75 Cv
 890 RPM



Motor type:	UMHA 80G-6
Output:	0.55 kW / 0.75 Cv
Speed (min ⁻¹):	890 RPM
Voltage:	400 V
Frequency:	50 Hz
Current:	1.5 A
Power factor (Cos \varnothing):	0.72
Poles:	6
Insulation class:	F
Temperature rise Class:	B
Efficiency 50%:	70.1 %
Efficiency 75%:	73.7 %
Efficiency 100%:	73.1 %
Torque:	5.90 N.m
Tstarting/Tnominal:	2.0
Istarting/Inominal:	4.5
Tmaximum/Tnominal:	2.1
Noise:	V Db(A)
Weight:	9.4 Kg
Bearing DE:	6204 2Z C3
Bearing NDE:	6204 2Z C3

Regime - S1

Altitude - 1000m

Environment Temperature - 40°C

CONTACTS:

Universal Motors UK, Ltd
 Unit E2, Meltham Mills Industrial Estate, Meltham Mills Road, Meltham, Holmfirth
 West Yorkshire HD9 4AR, U.K

Tel: +44(0) 1484 660 222
 Fax: +44(0) 1484 660 333

Mail: enquiries@universalmotors-group.co.uk

* References applied only in the UK