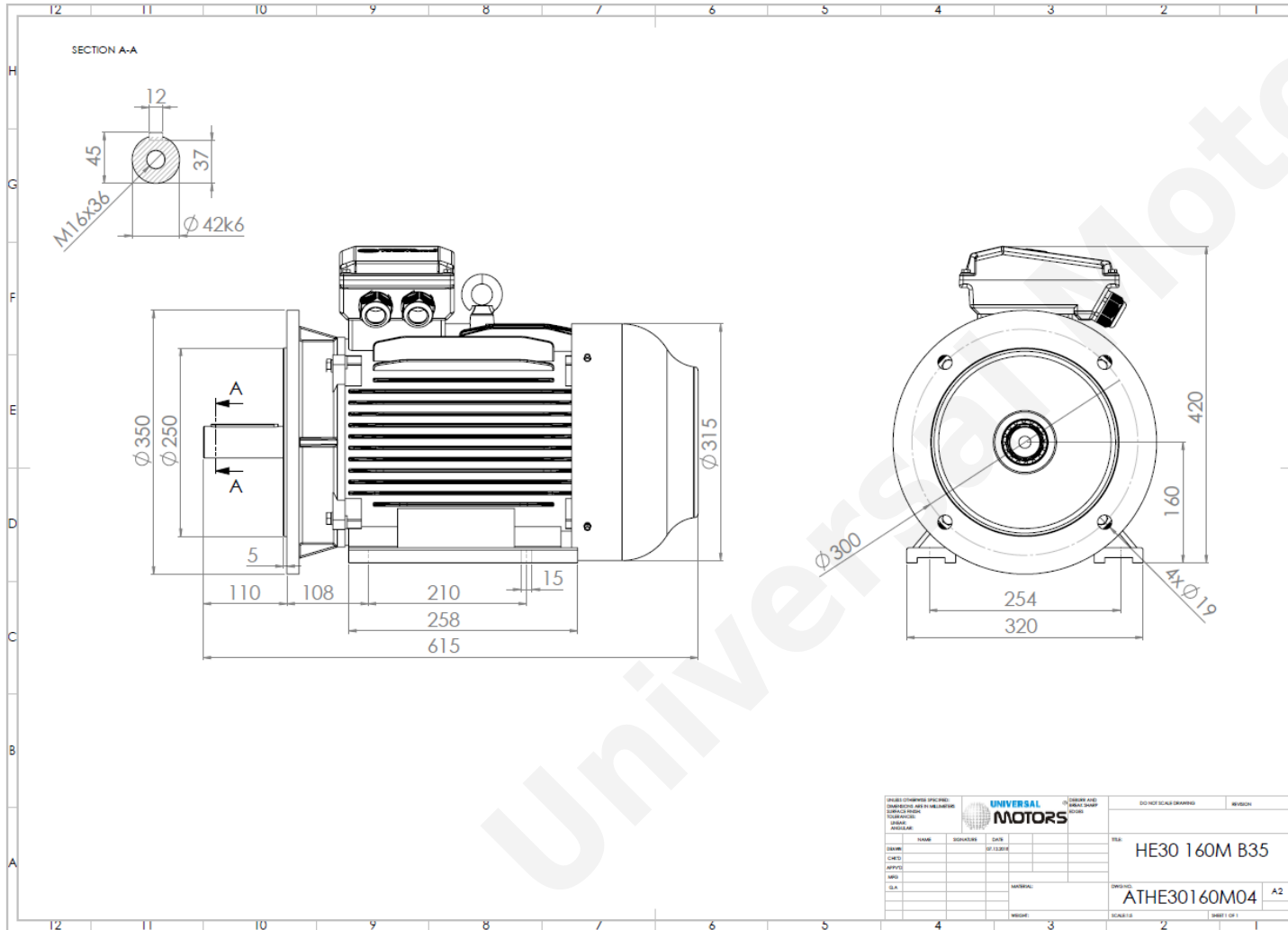


TECHNICAL DATA

Three Phase Electric Motors - Cast Iron Frame
UMHC 160M-2 IE2
11 kW / 15 Cv
2940 RPM



Motor type:	UMHC 160M-2 IE2
Output:	11 kW / 15 Cv
Speed (min ⁻¹):	2940 RPM
Voltage:	400 V
Frequency:	50 Hz
Current:	20.0 A
Power factor (Cos Ø):	0.89
Poles:	2
Insulation class:	F
Temperature rise Class:	B
Efficiency 50%:	88.9 %
Efficiency 75%:	90.2 %
Efficiency 100%:	89.4 %
Torque:	36 N.m
Tstarting/Tnominal:	2.2
Istarting/Inominal:	7.9
Tmaximum/Tnominal:	2.3
Noise:	81 Db(A)
Weight:	120 Kg
Bearing DE:	6309 C3
Bearing NDE:	6309 C3

UNIVERSAL MOTORS		DESIGN AND DRAWING	DO NOT SCALE DRAWING	REVISION
NAME	SIGNATURE	DATE	SCALE	
DESIGNER				
CHECKED				
APPROVED				
DATE				
SLA				
MATERIAL				
WEIGHT				
		REF: HE30 160M B35		
		DWG NO: ATHE30160M04		A2
		SCALE: 1:1		SHEET 1 OF 1

Regime - S1 **Altitude - 1000m** **Environment Temperature - 40°C**

CONTACTS:
 Universal Motors UK, Ltd Tel: +44(0) 1484 660 222
 Unit E2, Meltham Mills Industrial Estate, Meltham Mills Road, Meltham, Holmfirth Fax: +44(0) 1484 660 333
 West Yorkshire HD9 4AR, U.K. Mail: enquiries@universalmotors-group.co.uk

* References applied only in the UK