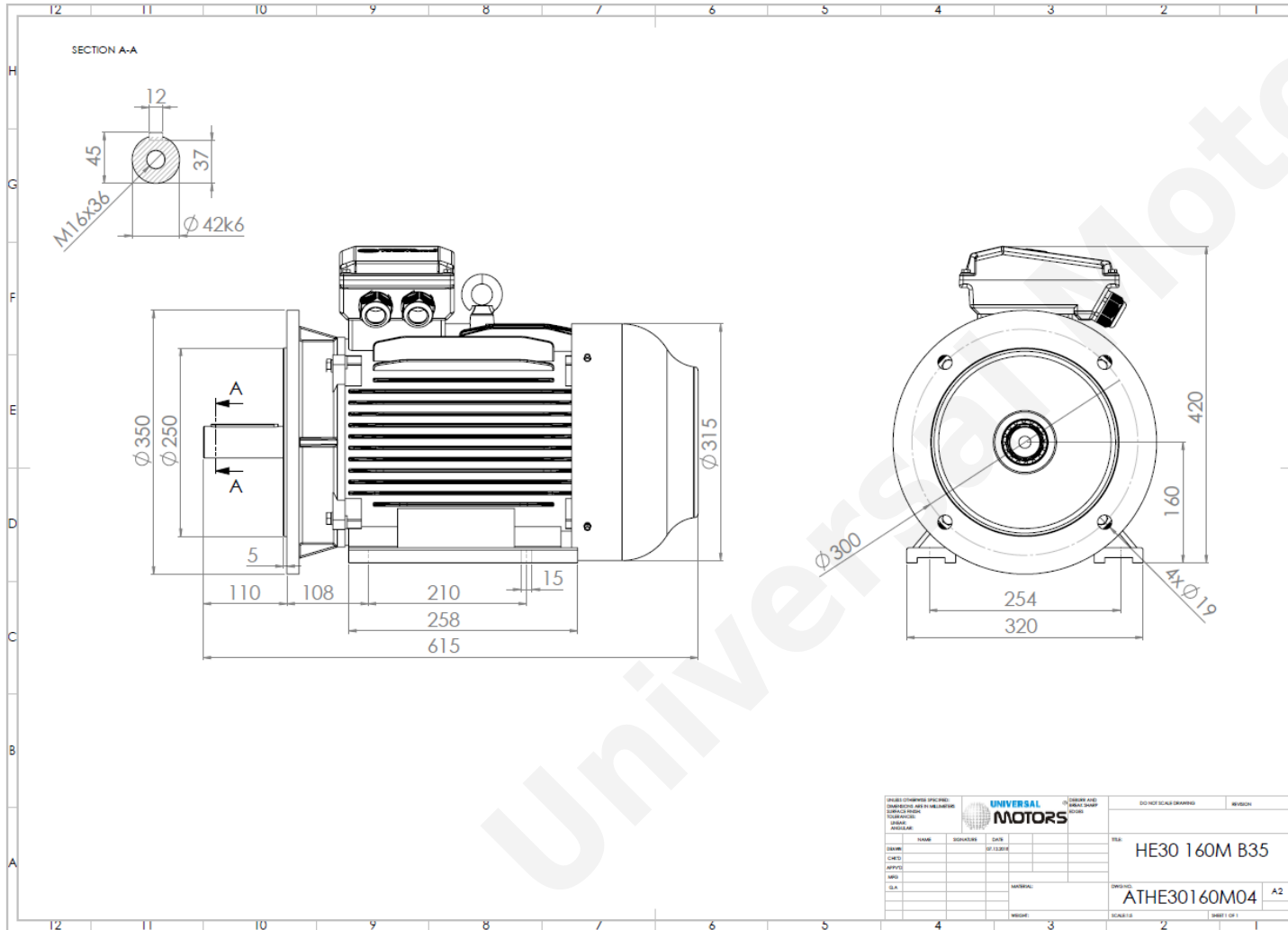


TECHNICAL DATA

Three Phase Electric Motors - Cast Iron Frame
UMHC 160M-4 IE2
11 kW / 15 Cv
1470 RPM



Motor type:	UMHC 160M-4 IE2
Output:	11 kW / 15 Cv
Speed (min ⁻¹):	1470 RPM
Voltage:	400 V
Frequency:	50 Hz
Current:	20.8 A
Power factor (Cos ϕ):	0.85
Poles:	4
Insulation class:	F
Temperature rise Class:	B
Efficiency 50%:	89.4 %
Efficiency 75%:	90.3 %
Efficiency 100%:	89.8 %
Torque:	71 N.m
Tstarting/Tnominal:	2.2
Istarting/Inominal:	7.9
Tmaximum/Tnominal:	2.3
Noise:	73 Db(A)
Weight:	122 Kg
Bearing DE:	6309 C3
Bearing NDE:	6309 C3

UNIVERSAL MOTORS		DESIGN AND DRAWING	DO NOT SCALE DRAWING	REVISION
NAME	SIGNATURE	DATE	SCALE	
DESIGNER				
CHECKED				
APPROVED				
DATE				
DRAWN				
SCALE				
MATERIAL			DRWG NO.	SHEET 1 OF 1
WEIGHT			SCALE 1:1	
			HE30 160M B35	
			ATHE30160M04	A2

Regime - S1

Altitude - 1000m

Environment Temperature - 40°C

CONTACTS:

Universal Motors UK, Ltd
Unit E2, Meltham Mills Industrial Estate, Meltham Mills Road, Meltham, Holmfirth
West Yorkshire HD9 4AR, U.K

Tel: +44(0) 1484 660 222

Fax: +44(0) 1484 660 333

Mail: enquiries@universalmotors-group.co.uk

* References applied only in the UK