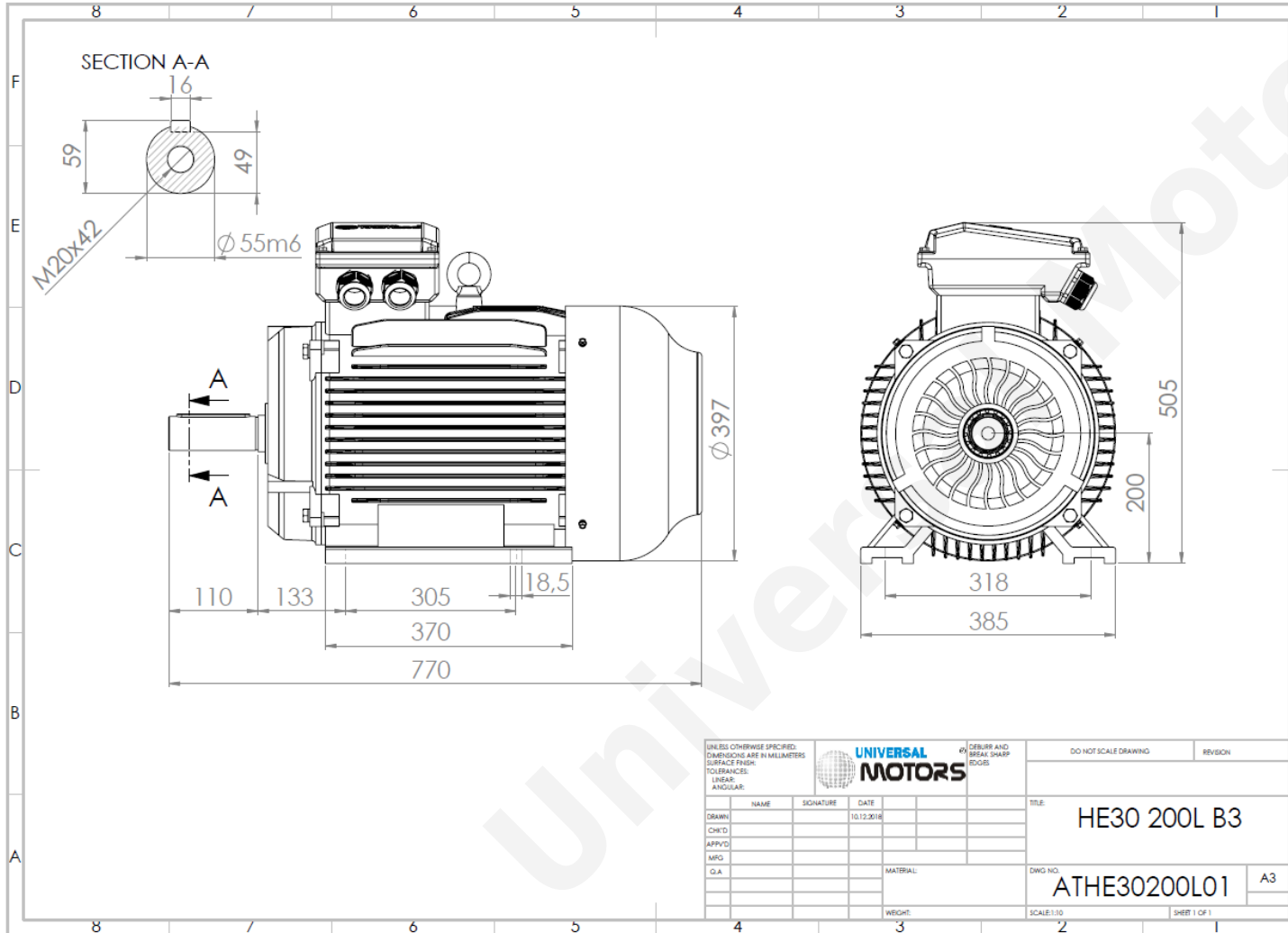


TECHNICAL DATA

Three Phase Electric Motors - Cast Iron Frame
UMHC 200L-2 IE2
30 kW / 40 Cv
2960 RPM



Motor type:	UMHC 200L-2 IE2
Output:	30 kW / 40 Cv
Speed (min ⁻¹):	2960 RPM
Voltage:	400 V
Frequency:	50 Hz
Current:	52.9 A
Power factor (Cos ϕ):	0.89
Poles:	2
Insulation class:	F
Temperature rise Class:	B
Efficiency 50%:	91.1 %
Efficiency 75%:	92.4 %
Efficiency 100%:	92.0 %
Torque:	97 N.m
Tstarting/Tnominal:	2.2
Istarting/Inominal:	7.5
Tmaximum/Tnominal:	2.3
Noise:	84 Db(A)
Weight:	243 Kg
Bearing DE:	6312 C3
Bearing NDE:	6312 C3

Regime - S1

Altitude - 1000m

Environment Temperature - 40°C

CONTACTS:

Universal Motors UK, Ltd
Unit E2, Meltham Mills Industrial Estate, Meltham Mills Road, Meltham, Holmfirth
West Yorkshire HD9 4AR, U.K

Tel: +44(0) 1484 660 222

Fax: +44(0) 1484 660 333

Mail: enquiries@universalmotors-group.co.uk

* References applied only in the UK