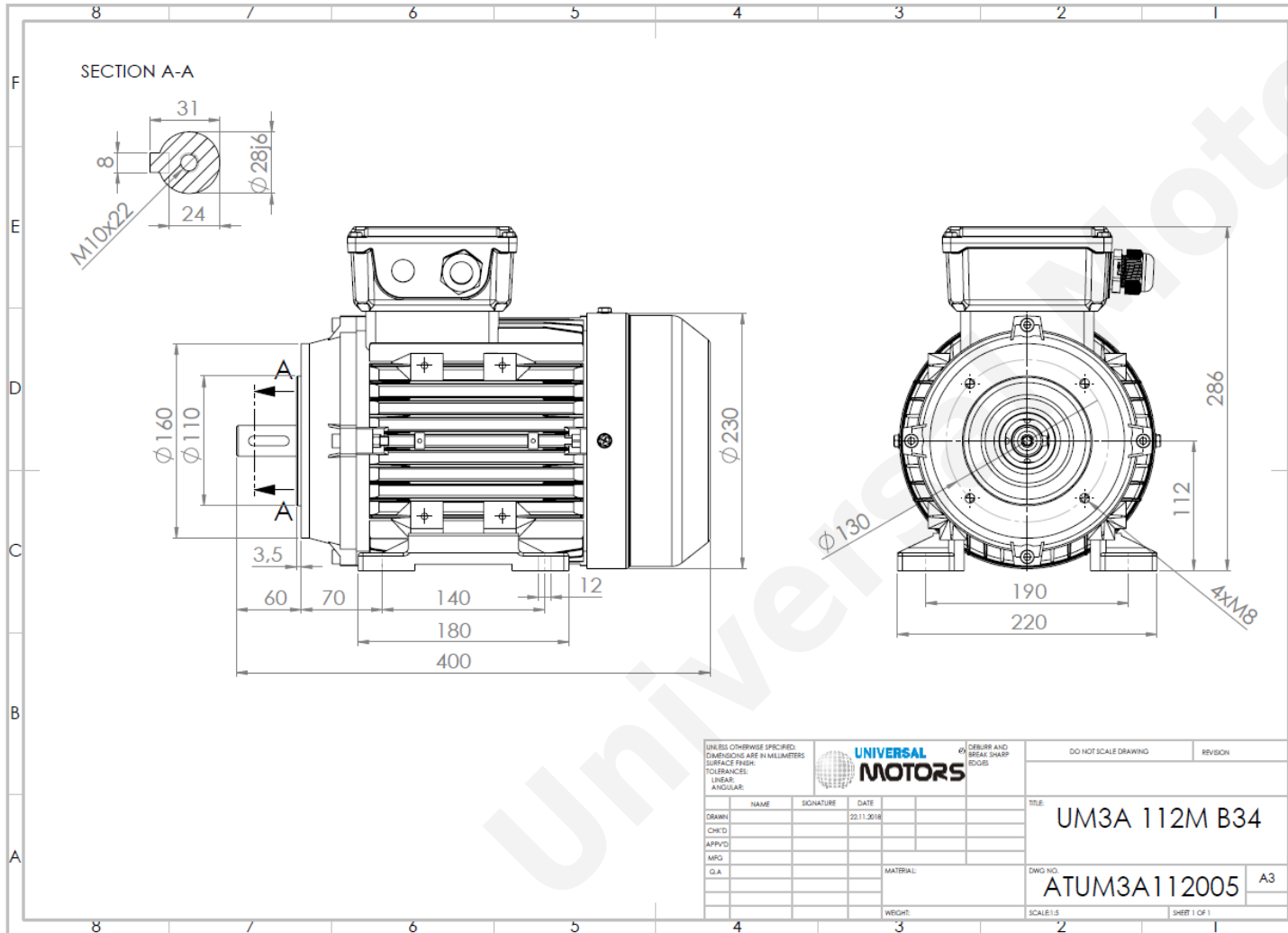


TECHNICAL DATA

Three Phase Electric Motors - Aluminum Frame
 UM3A 112M-4
 4 kW / 5.5 Cv
 1450 RPM



Motor type:	UM3A 112M-4
Output:	4 kW / 5.5 Cv
Speed (min ⁻¹):	1450 RPM
Voltage:	400 V
Frequency:	50 Hz
Current:	8.0 A
Power factor (Cos ϕ):	0.82
Poles:	4
Insulation class:	F
Temperature rise Class:	B
Efficiency 50%:	86.8 %
Efficiency 75%:	87.7 %
Efficiency 100%:	88.6 %
Torque:	26.3 N.m
Tstarting/Tnominal:	2.3
Istarting/Inominal:	7.7
Tmaximum/Tnominal:	2.3
Noise:	72 Db(A)
Weight:	39 Kg
Bearing DE:	6306 2Z C3
Bearing NDE:	6306 2Z C3

Regime - S1

Altitude - 1000m

Environment Temperature - 40°C

CONTACTS:

Universal Motors UK, Ltd
 Unit E2, Meltham Mills Industrial Estate, Meltham Mills Road, Meltham, Holmfirth
 West Yorkshire HD9 4AR, U.K.

Tel: +44(0) 1484 660 222

Fax: +44(0) 1484 660 333

Mail: enquiries@universalmotors-group.co.uk

* References applied only in the UK