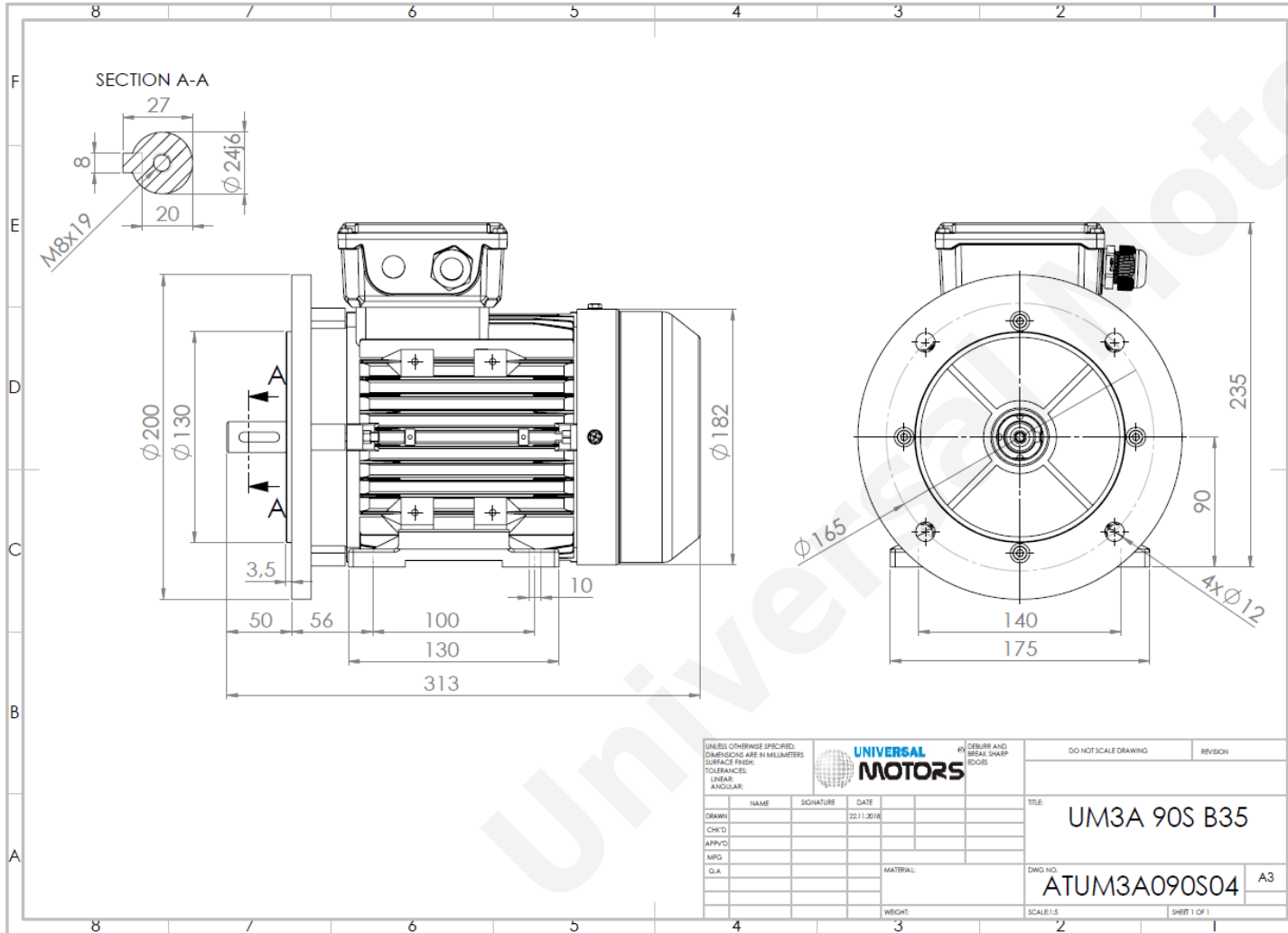


# TECHNICAL DATA

Three Phase Electric Motors - Aluminum Frame  
 UM3A 90S-4  
 1.1 kW / 1.5 Cv  
 1435 RPM



Motor type:	UM3A 90S-4
Output:	1.1 kW / 1.5 Cv
Speed ( $\text{min}^{-1}$ ):	1435 RPM
Voltage:	400 V
Frequency:	50 Hz
Current:	2.5 A
Power factor ( $\text{Cos } \phi$ ):	0.75
Poles:	4
Insulation class:	F
Temperature rise Class:	B
Efficiency 50%:	82.0 %
Efficiency 75%:	82.8 %
Efficiency 100%:	84.1 %
Torque:	7.3 N.m
Tstarting/Tnominal:	2.3
Istarting/Inominal:	6.6
Tmaximum/Tnominal:	2.3
Noise:	66 Db(A)
Weight:	15 Kg
Bearing DE:	6205 2Z C3
Bearing NDE:	6205 2Z C3

Regime - S1

Altitude - 1000m

Environment Temperature - 40°C

## CONTACTS:

Universal Motors UK, Ltd  
 Unit E2, Meltham Mills Industrial Estate, Meltham Mills Road, Meltham, Holmfirth  
 West Yorkshire HD9 4AR, U.K

Tel: +44(0) 1484 660 222  
 Fax: +44(0) 1484 660 333

Mail: [enquiries@universalmotors-group.co.uk](mailto:enquiries@universalmotors-group.co.uk)

\* References applied only in the UK