

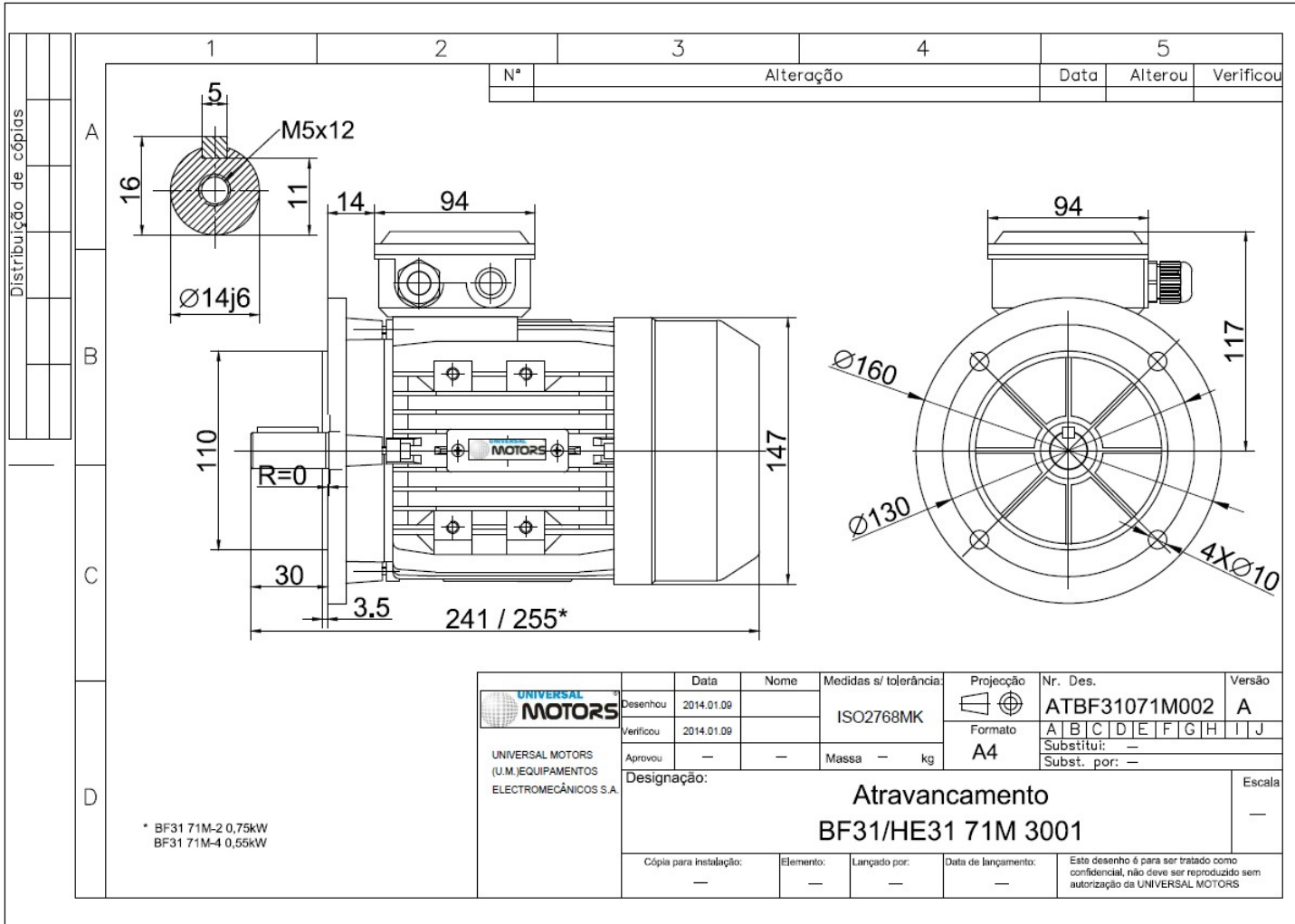
TECHNICAL DATA

Three Phase Electric Motors - Aluminum Frame

UMA 71 M3 6

0.37 kW / 0.5 Cv

890 RPM



Motor type:	UMA 71 M3 6
Output:	0.37 kW / 0.5 Cv
Speed (min ⁻¹):	890 RPM
Voltage:	400 V
Frequency:	50 Hz
Current:	1.27 A
Power factor (Cos Ø):	0.69
Poles:	6
Insulation class:	F
Temperature rise Class:	B
Efficiency 100%:	61.0 %
Torque:	3.9 N.m
Tstarting/Tnominal:	2.0
Istarting/Inominal:	4.0
Tmaximum/Tnominal:	2.1
Noise:	54 Db(A)
Weight:	7.2 Kg
Bearing DE:	6202 2Z C3
Bearing NDE:	6202 2Z C3

Regime - S1

Altitude - 1000m

Environment Temperature - 40°C

* References applied only in the UK