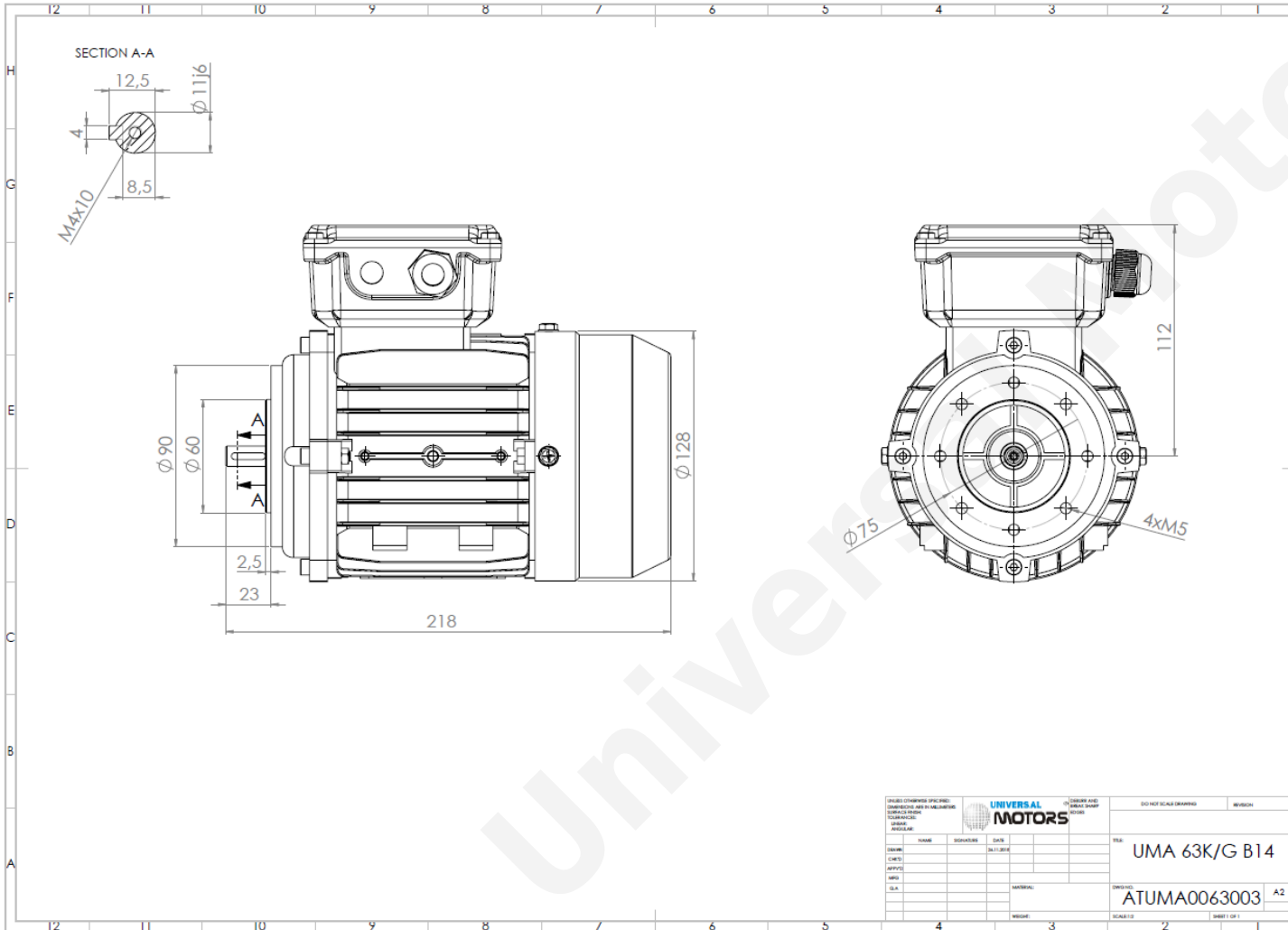


TECHNICAL DATA

Three Phase Electric Motors - Aluminum Frame
UMA 63-2P
0.37 kW / 0.55 Cv
2710 RPM



Motor type:	UMA 63-2P
Output:	0.37 kW / 0.55 Cv
Speed (min ⁻¹):	2710 RPM
Voltage:	400 V
Frequency:	50 Hz
Current:	1.05 A
Power factor (Cos ϕ):	0.78
Poles:	2
Insulation class:	F
Temperature rise Class:	B
Efficiency 100%:	IE1-65.0 %
Torque:	1.3 N.m
Tstarting/Tnominal:	2.2
Istarting/Inominal:	6.0
Tmaximum/Tnominal:	2.4
Noise:	62 Db(A)
Weight:	5.5 Kg
Bearing DE:	6201 2Z C3
Bearing NDE:	6201 2Z C3

Regime - S1

Altitude - 1000m

Environment Temperature - 40°C

CONTACTS:

Universal Motors UK, Ltd
 Unit E2, Meltham Mills Industrial Estate, Meltham Mills Road, Meltham, Holmfirth
 West Yorkshire HD9 4AR, U.K

Tel: +44(0) 1484 660 222

Fax: +44(0) 1484 660 333

Mail: enquiries@universalmotors-group.co.uk

* References applied only in the UK