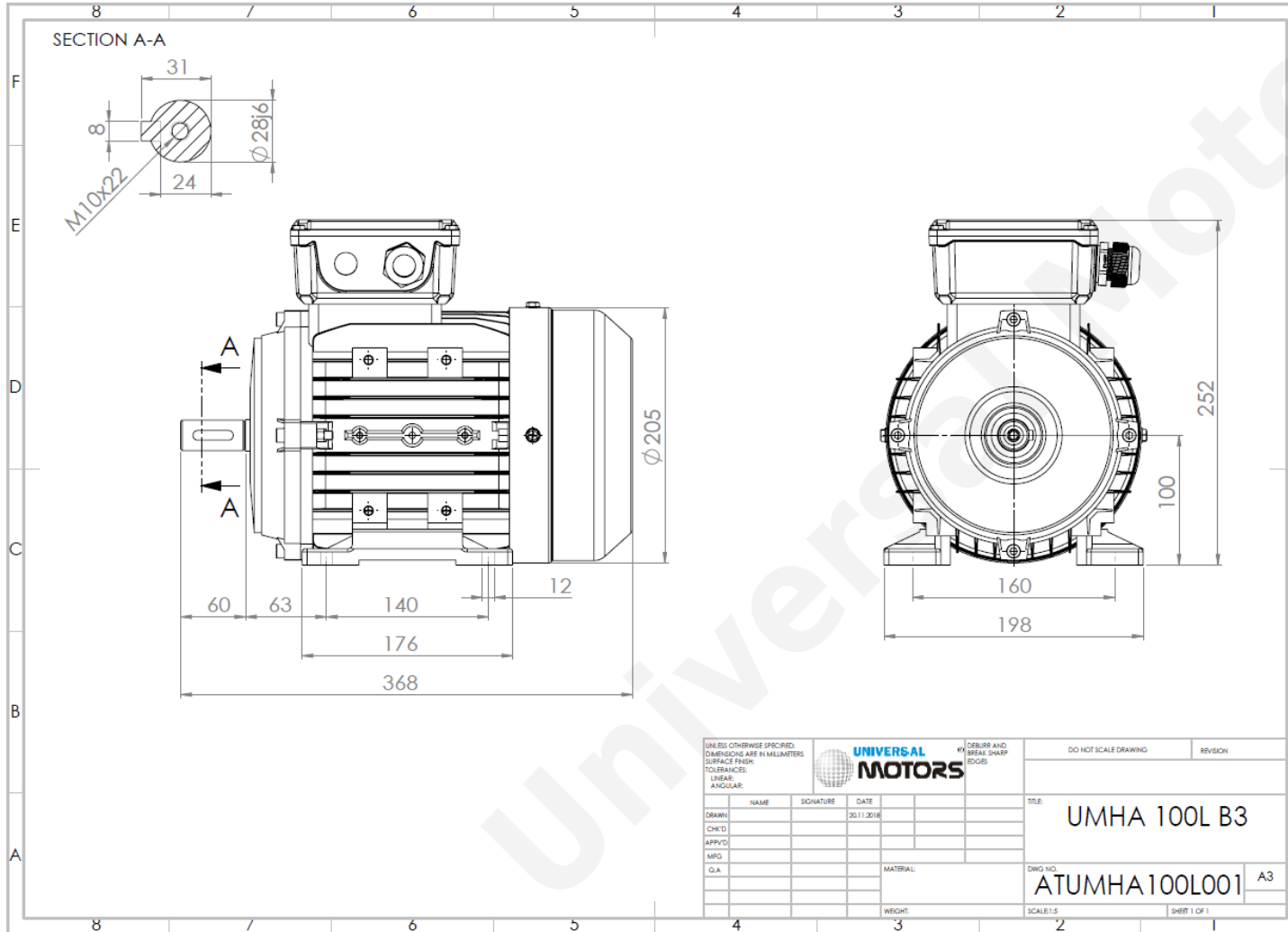


# TECHNICAL DATA

Three Phase Electric Motors - Aluminum Frame  
 UMHA 100L-6 IE2  
 1.5 kW / 2 Cv  
 955 RPM



Motor type:	<b>UMHA 100L-6 IE2</b>
Output:	<b>1.5 kW / 2 Cv</b>
Speed (min <sup>-1</sup> ):	<b>955 RPM</b>
Voltage:	<b>400 V</b>
Frequency:	<b>50 Hz</b>
Current:	<b>3.7 A</b>
Power factor (Cos $\phi$ ):	<b>0.74</b>
Poles:	<b>6</b>
Insulation class:	<b>F</b>
Temperature rise Class:	<b>B</b>
Efficiency 50%:	<b>79.8 %</b>
Efficiency 75%:	<b>80.0 %</b>
Efficiency 100%:	<b>79.8 %</b>
Torque:	<b>15.0 N.m</b>
Tstarting/Tnominal:	<b>2.1</b>
Istarting/Inominal:	<b>6.0</b>
Tmaximum/Tnominal:	<b>2.1</b>
Noise:	<b>64 Db(A)</b>
Weight:	<b>27.0 Kg</b>
Bearing DE:	<b>6206 2Z C3</b>
Bearing NDE:	<b>6206 2Z C3</b>

Regime - S1

Altitude - 1000m

Environment Temperature - 40°C

\* References applied only in the UK