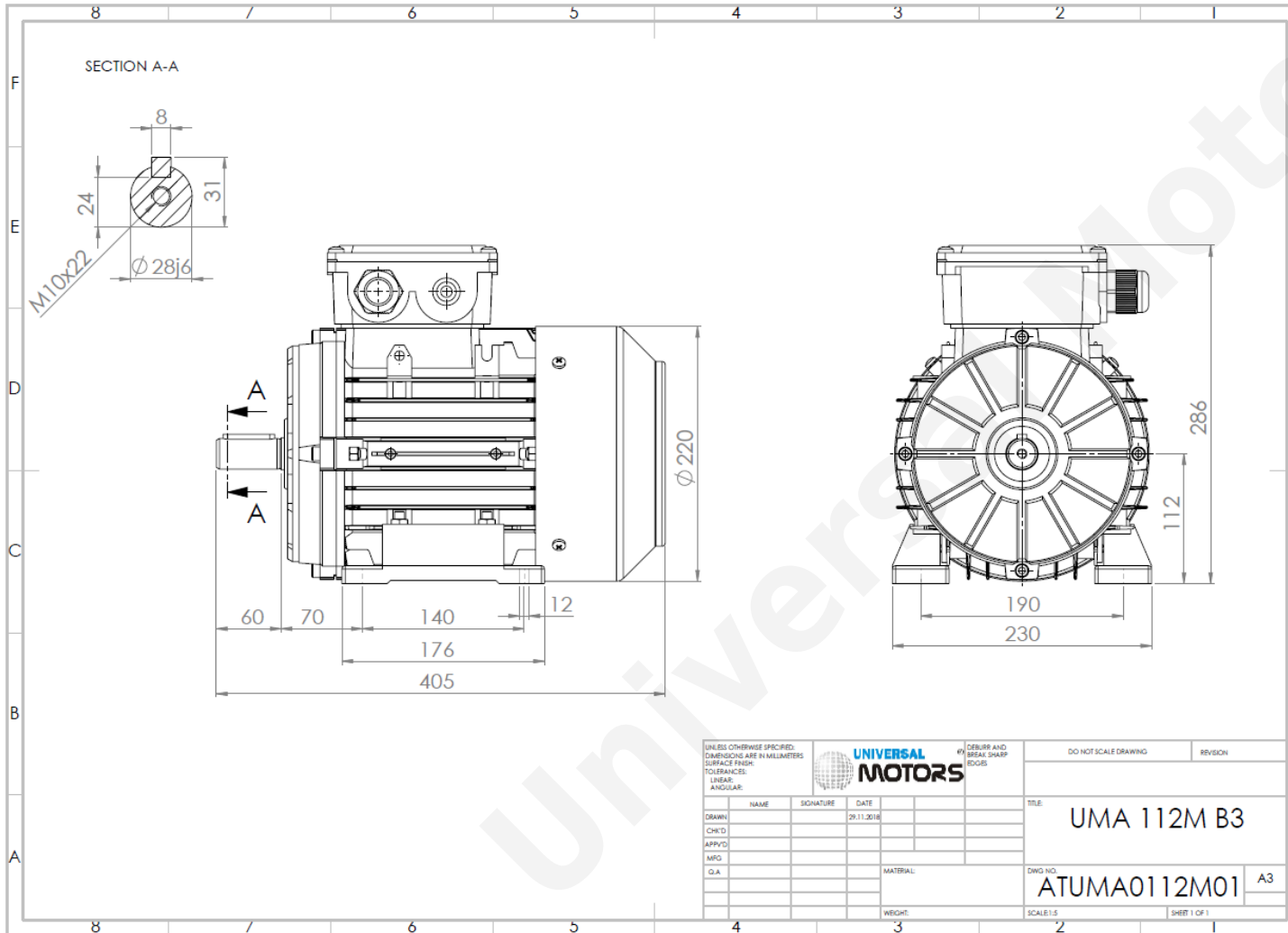


TECHNICAL DATA

Three Phase Electric Motors - Aluminum Frame
 UMHA 112M-2P IE2
 5,5 kW / 7,5 Cv
 2920 RPM



Motor type:	UMHA 112M-2P IE2
Output:	5,5 kW / 7,5 Cv
Speed (min ⁻¹):	2920 RPM
Voltage:	400 V
Frequency:	50 Hz
Current:	10,26 A
Power factor (Cos ϕ):	0,87
Poles:	2
Insulation class:	F
Temperature rise Class:	B
Efficiency 50%:	87,7 %
Efficiency 75%:	88,9 %
Efficiency 100%:	88,6 %
Torque:	18,0 N.m
Tstarting/Tnominal:	3,5
Istarting/Inominal:	10,1
Tmaximum/Tnominal:	4,1
Noise:	77 Db(A)
Weight:	30 Kg
Bearing DE:	6306 2Z C3
Bearing NDE:	6206 2Z C3

Regime - S1

Altitude - 1000m

Environment Temperature - 40°C

* References applied only in the UK