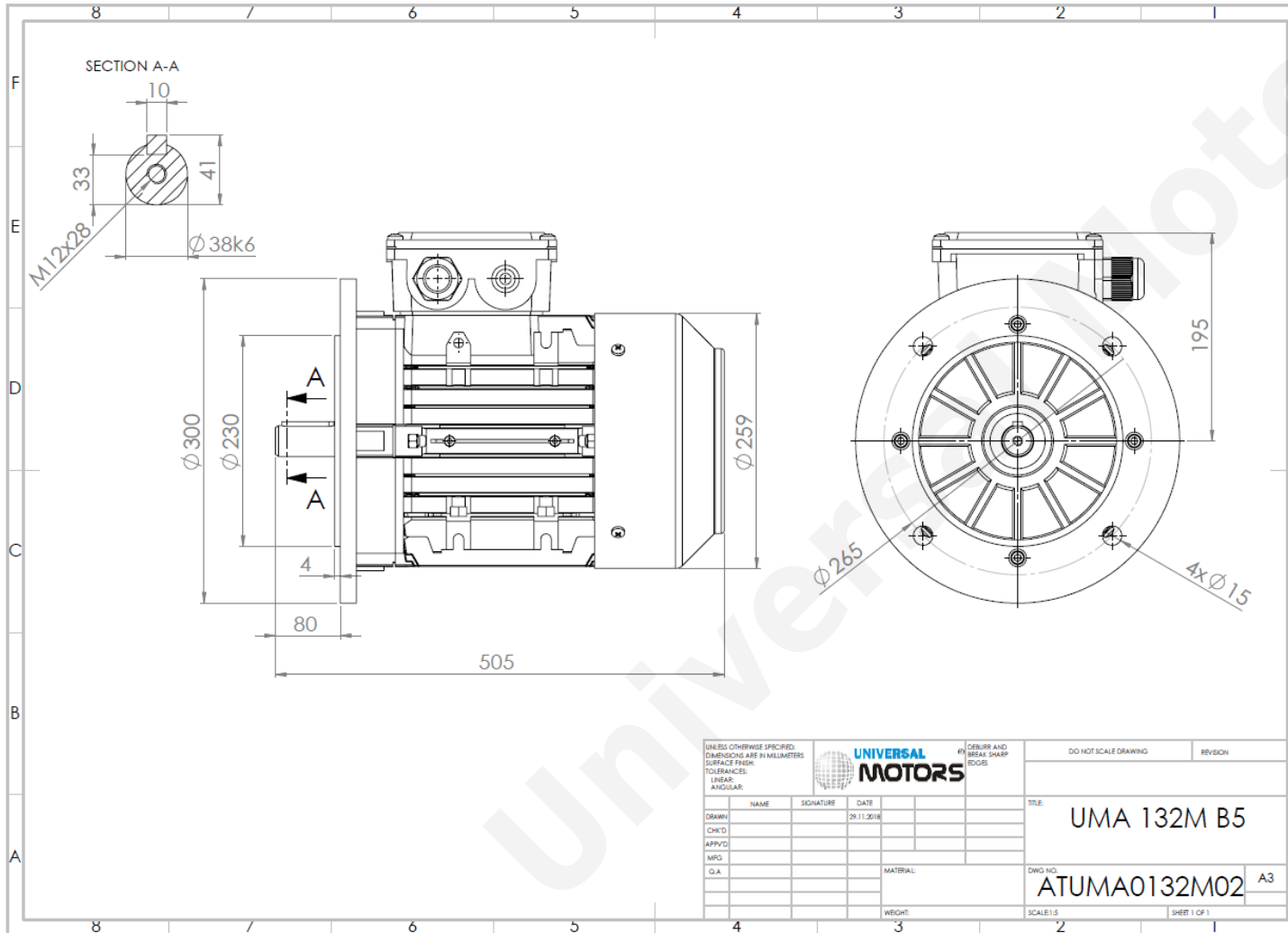


TECHNICAL DATA

Three Phase Electric Motors - Aluminum Frame
 UMHA 132M-2P IE2
 11 kW / 15 Cv
 2930 RPM



Motor type:	UMHA 132M-2P IE2
Output:	11 kW / 15 Cv
Speed (min ⁻¹):	2930 RPM
Voltage:	400 V
Frequency:	50 Hz
Current:	19,51 A
Power factor (Cos Ø):	0,90
Poles:	2
Insulation class:	F
Temperature rise Class:	B
Efficiency 50%:	90,1 %
Efficiency 75%:	91,1 %
Efficiency 100%:	90,8 %
Torque:	35,8 N.m
Tstarting/Tnominal:	4,0
Istarting/Inominal:	12,6
Tmaximum/Tnominal:	3,9
Noise:	80 Db(A)
Weight:	47 Kg
Bearing DE:	6308 2Z C3
Bearing NDE:	6308 2Z C3

Regime - S1

Altitude - 1000m

Environment Temperature - 40°C

* References applied only in the UK

Tel: +44(0) 1484 660 222
 Fax: +44(0) 1484 660 333
 Mail: enquiries@universalmotors-group.co.uk