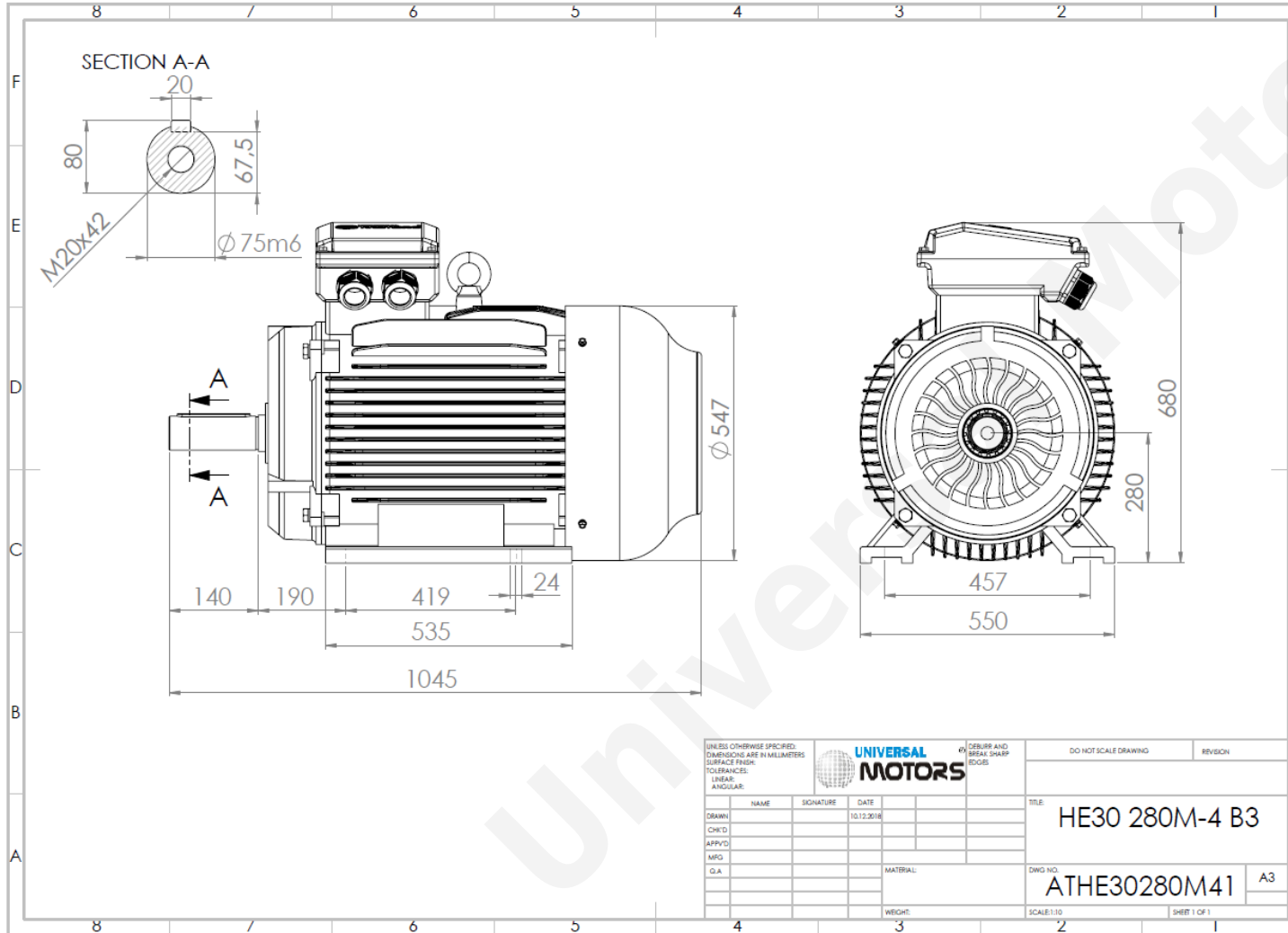


# TECHNICAL DATA

Three Phase Electric Motors - Cast Iron Frame  
 UMHC 280M-4 IE2  
 90 kW / 125 Cv  
 1480 RPM



Motor type:	<b>UMHC 280M-4 IE2</b>
Output:	<b>90 kW / 125 Cv</b>
Speed ( $\text{min}^{-1}$ ):	<b>1480 RPM</b>
Voltage:	<b>400 V</b>
Frequency:	<b>50 Hz</b>
Current:	<b>157 A</b>
Power factor ( $\text{Cos } \phi$ ):	<b>0.88</b>
Poles:	<b>4</b>
Insulation class:	<b>F</b>
Temperature rise Class:	<b>B</b>
Efficiency 50%:	<b>93.6 %</b>
Efficiency 75%:	<b>94.7 %</b>
Efficiency 100%:	<b>94.2 %</b>
Torque:	<b>581 N.m</b>
Tstarting/Tnominal:	<b>2.0</b>
Istarting/Inominal:	<b>7.0</b>
Tmaximum/Tnominal:	<b>2.3</b>
Noise:	<b>80 Db(A)</b>
Weight:	<b>682 Kg</b>
Bearing DE:	<b>6317 C3</b>
Bearing NDE:	<b>6317 C3</b>

Regime - S1

Altitude - 1000m

Environment Temperature - 40°C

\* References applied only in the UK