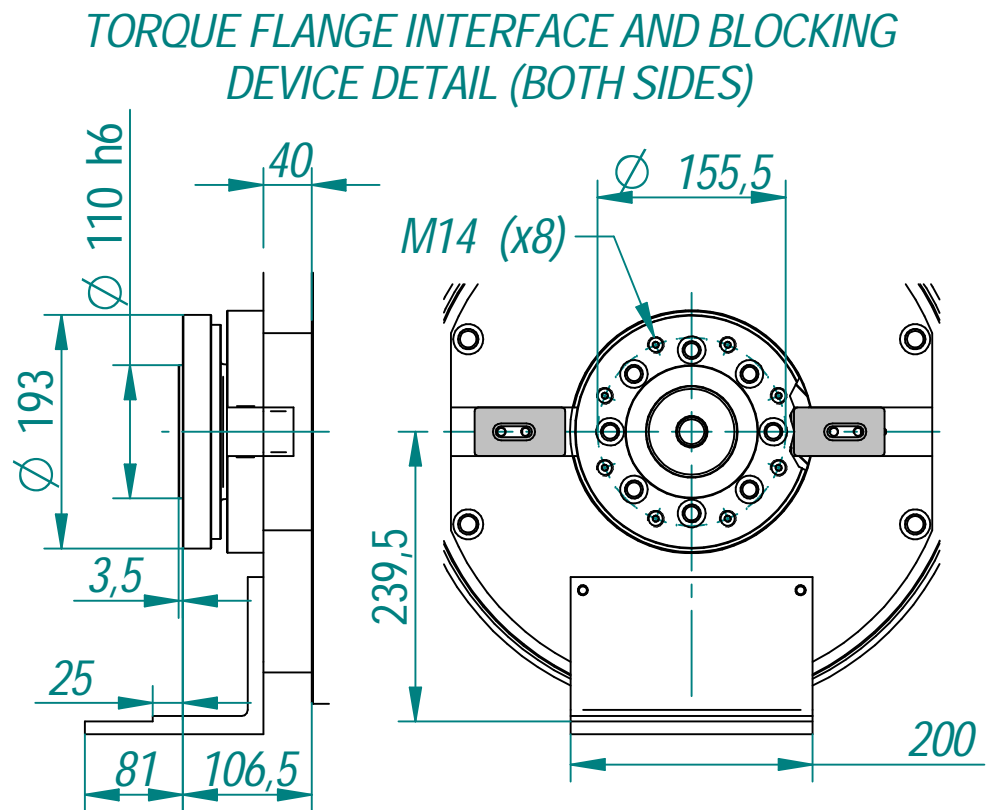
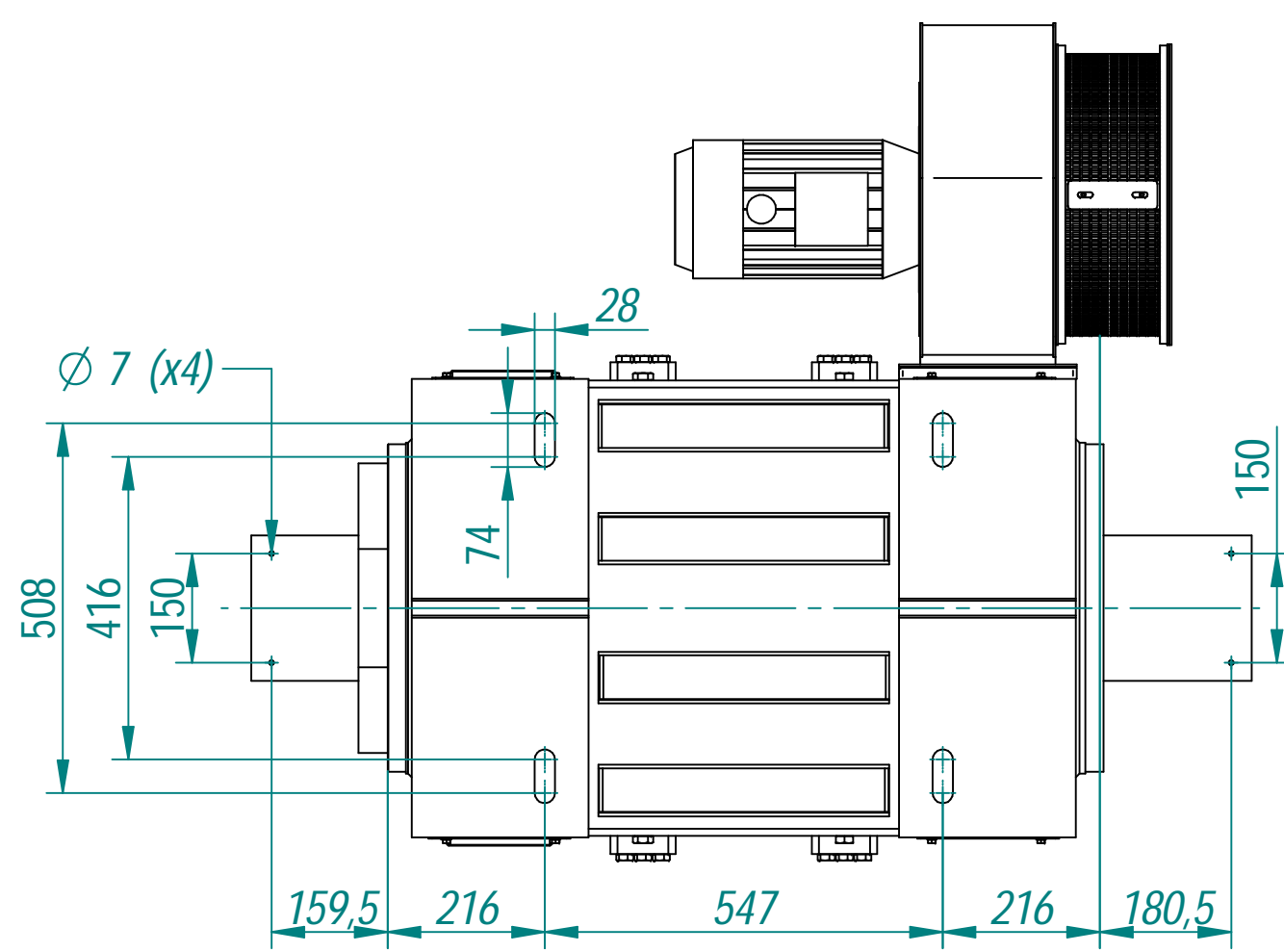
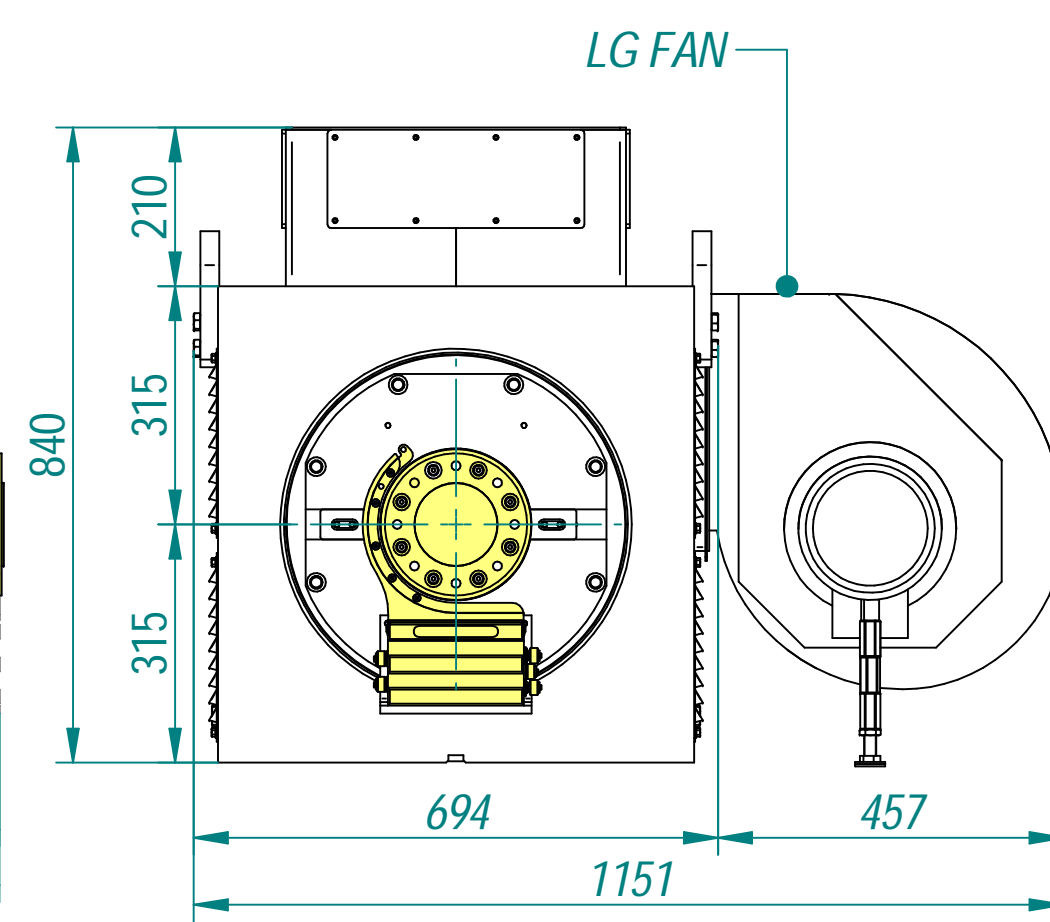
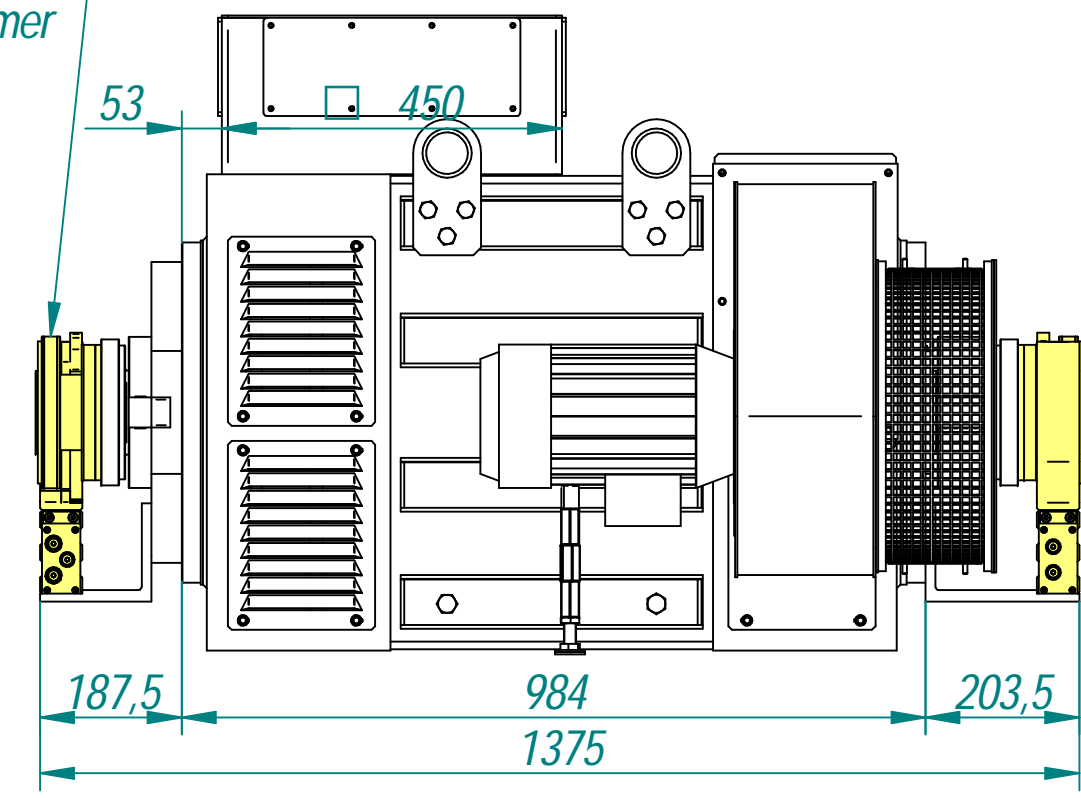


| FORMATO / FORMAT | ESCALA / SCALE | PÁGINA / PAGE |
|-------------------------|---|---------------|
| A3 | 1:10 | 1 de 1 |
| CÓDIGO CODE | AF076-21-01 | |
| EDICIÓN EDITION | 01 21/12/21 | |
| CR | -- | |
| AF | AF076-21 | |
| CLIENTE CUSTOMER | The inverter drive supermarket 2186 | |
| TIPO MOTOR MOTOR TYPE | MAC QT 315 S | |
| MONTAJE MOUNTING | IM-B3 | |
| PROTECCIÓN PROTECTION | IP-23S | |
| REFRIGERACIÓN COOLING | IC-06 | |
| COLOR COLOUR | RAL-7035 Light grey | |
| DESCRIPCIÓN DESCRIPTION | MOTOR DIMENSIONS FAN AT RHS | |
| TIPO-CÓDIGO TYPE-CODE | 700528 | |
| EMBALAJE PACKAGING | MATERIAL Phytosanitary wooden box | |
| | PESO WEIGHT 1895 + 85 Kg | |
| | DIMENSIONES DIMENSIONS 1700 x 1000 x 1550 mm | |
| ELABORA | | |
| REVISÁ | | |
| APRUEBA | | |



HBM T12 5kNm to be supplied by the customer (both sides)



EL CLIENTE ES RESPONSABLE DE QUE ESTA MÁQUINA SEA ADECUADA PARA LA APLICACIÓN PREVISTA / CUSTOMER IS RESPONSIBLE FOR THIS MACHINE IS BEING SUITABLE FOR THE INTENDED APPLICATION

| | |
|-----------------------------------|-------------------------|
| | |
| MÉTODO DE PROYECCIÓN | |
| TOLERANCIAS POR DEFECTO | 0 ----- 6 ± 0.1 mm |
| | 6 ----- 30 ± 0.2 mm |
| | 30 ----- 120 ± 0.3 mm |
| | 120 ----- 500 ± 0.5 mm |
| | TOLERANCIA ANGULAR ± 1° |
| DISTANCIA ENTRE AGUJEROS ± 0.2 mm | |
| 0.1 mm | |
| RUGOSIDADES | |
| 0.0125 - 0.0032 mm ▽ | |
| 0.0032 - 0.0008 mm ▽▽ | |
| 0.0008 - 0.0001 mm ▽▽▽ | |
| MATAR CANTOS VIVOS A 0.2x45° | |