

1 2 3 4 5 6

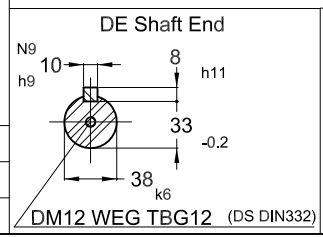
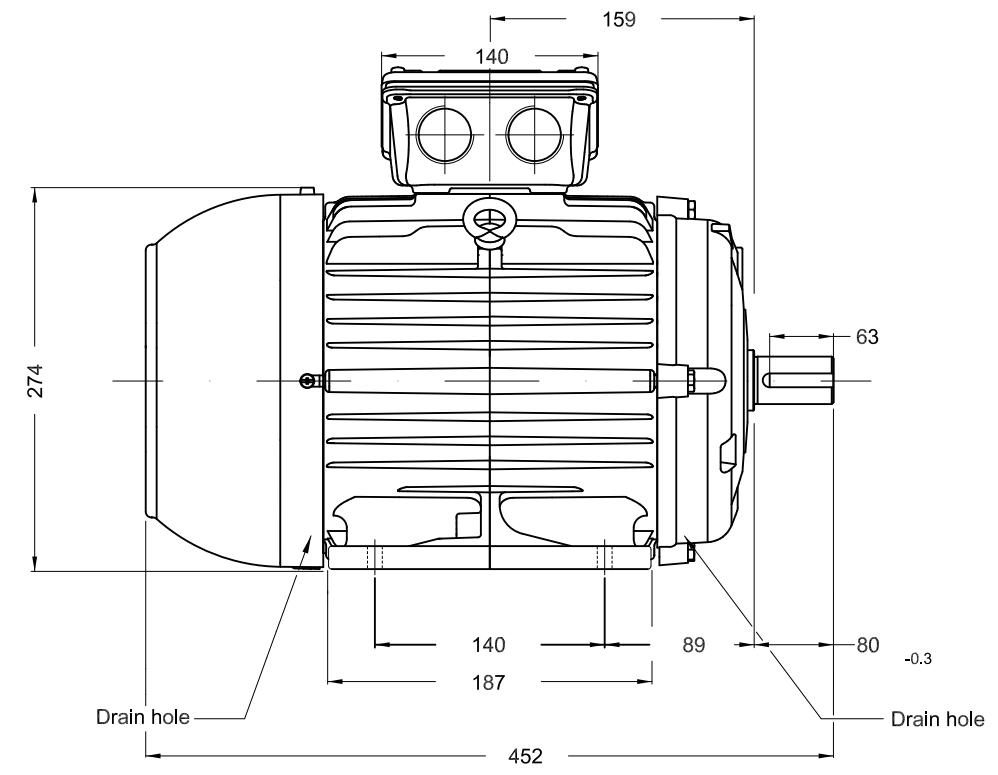
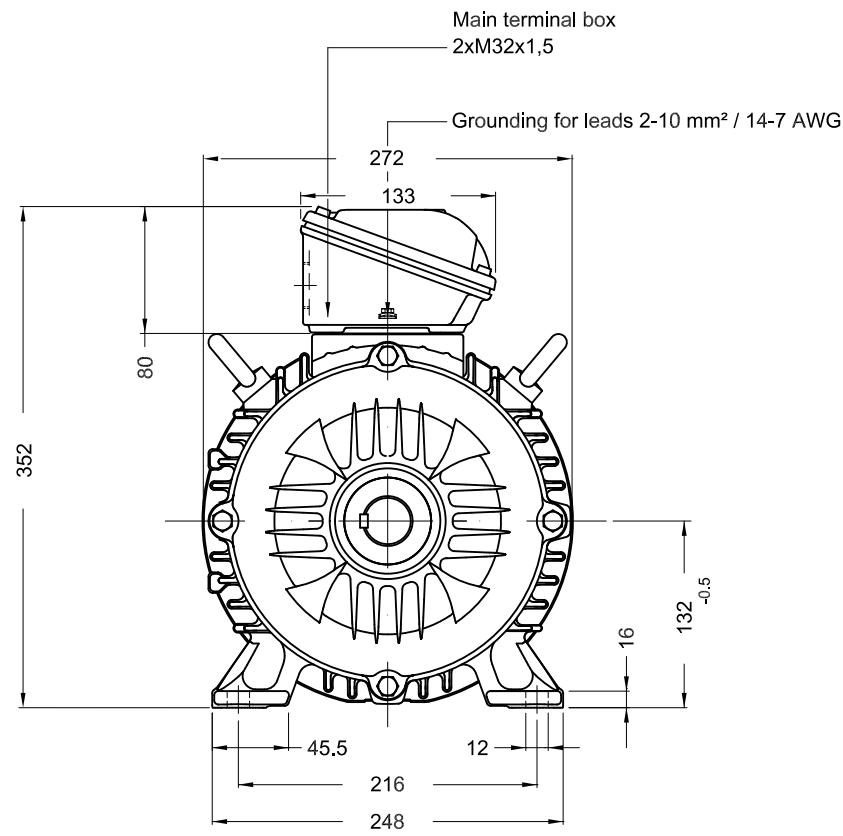
A

B

C

D

E



Color RAL 5009
 Painting plan 207A
 Mounting B3T

5.5 kW 02 Poles 50 Hz A

ECM	LOC	SUMMARY OF MODIFICATIONS	EXECUTED	CHECKED	RELEASED	DATE	VER
EXECUTED	USERADMIN	THREE PHASE W22 MOTOR - PREMIUM EFF FRAME 132S IP55 TEFC					
CHECKED							
RELEASED							
REL DT.	WMO		Jaragua do Sul	Product Engineering	SHEET	1 / 1	

PREVIEW
 WDD

Dimensions in mm

XME A3