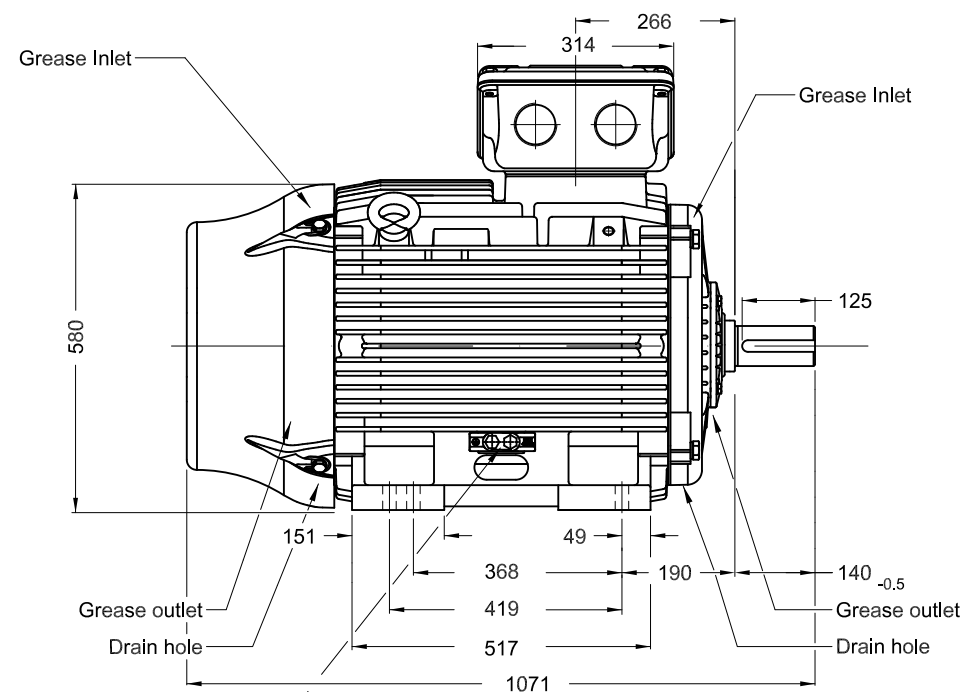
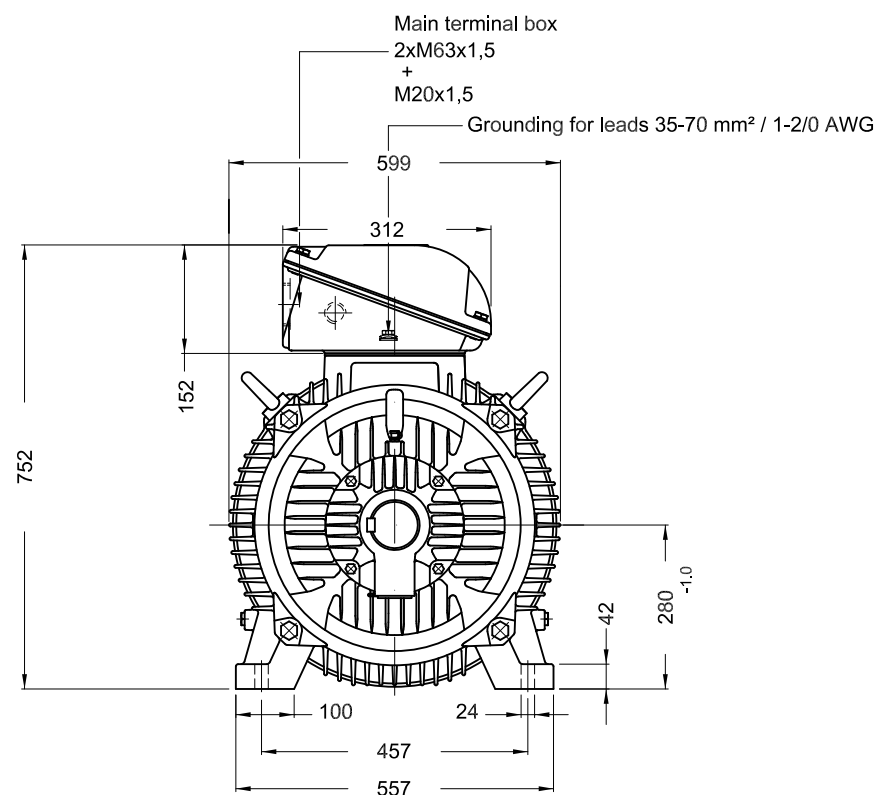


1 2 3 4 5 6

A

B

C

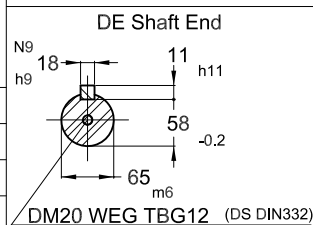


Grounding for leads 25-185 mm² / 3AWG-350MCM

D

E

Without vertical jackscrews  
 Color RAL 5009  
 Painting plan 203A  
 Mounting B3T



90 kW 02 Poles 50 Hz A

ECM	LOC	SUMMARY OF MODIFICATIONS	EXECUTED	CHECKED	RELEASED	DATE	VER
EXECUTED	USERADMIN	THREE PHASE W22 MOTOR - PREMIUM EFF					
CHECKED		FRAME 280S/M IP55 TEFC					
RELEASED							
REL DT.		WMO Jaragua do Sul	Product Engineering				

PREVIEW  
 WDD



SHEET 1 / 1

Dimensions in mm

XME A3