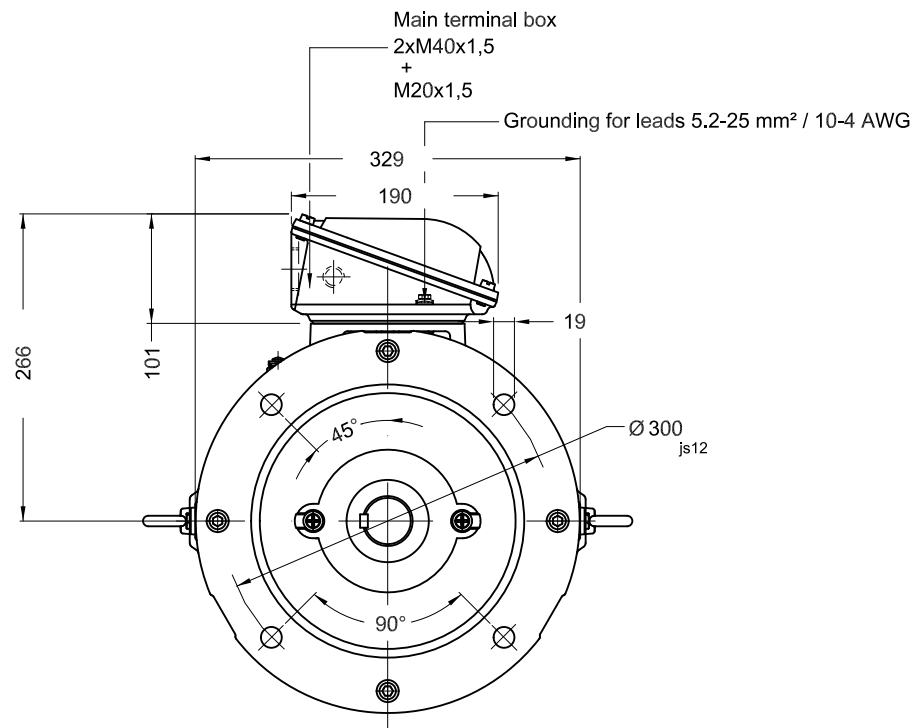


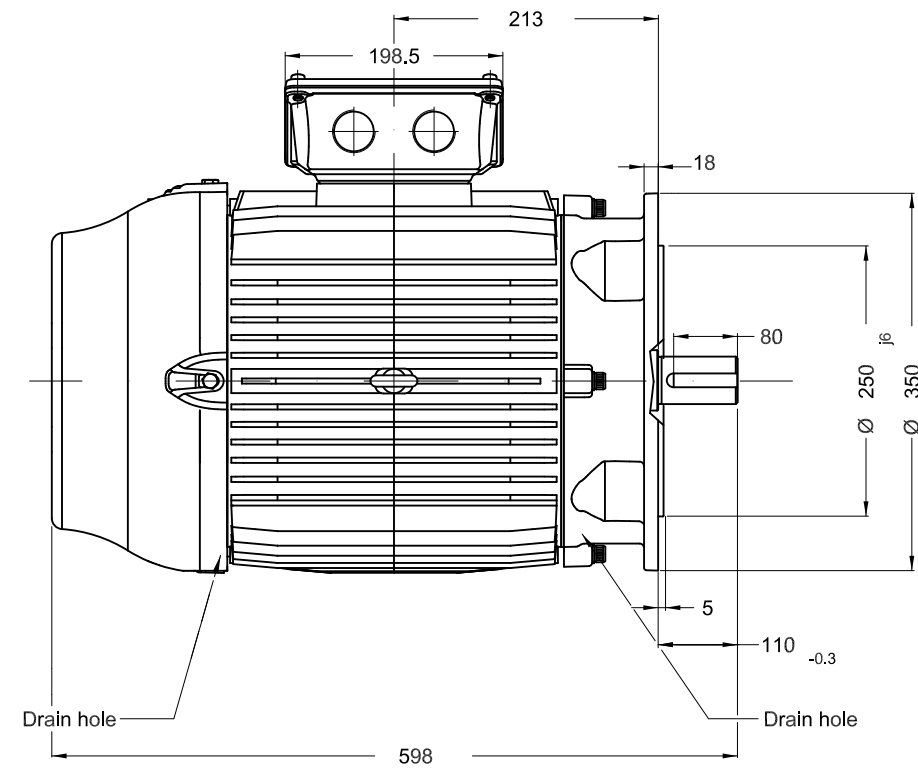
1 2 3 4 5 6

A



B

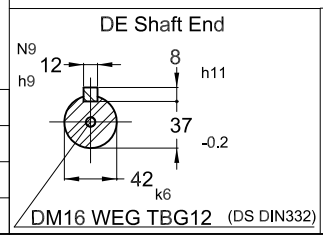
C



D

E

- Sealing - oil seal ring
- Color RAL 5009
- Painting plan 203A
- Mounting B5T



15 kW 02 Poles 50 Hz A

ECM	LOC	SUMMARY OF MODIFICATIONS	EXECUTED	CHECKED	RELEASED	DATE	VER
EXECUTED		THREE PHASE W22 MOTOR - PREMIUM EFF					
CHECKED		FRAME 160M IP55 TEFC					
RELEASED							
REL DT.	WMO	Jaragua do Sul	Product Engineering	SHEET	1 / 1		

PREVIEW

