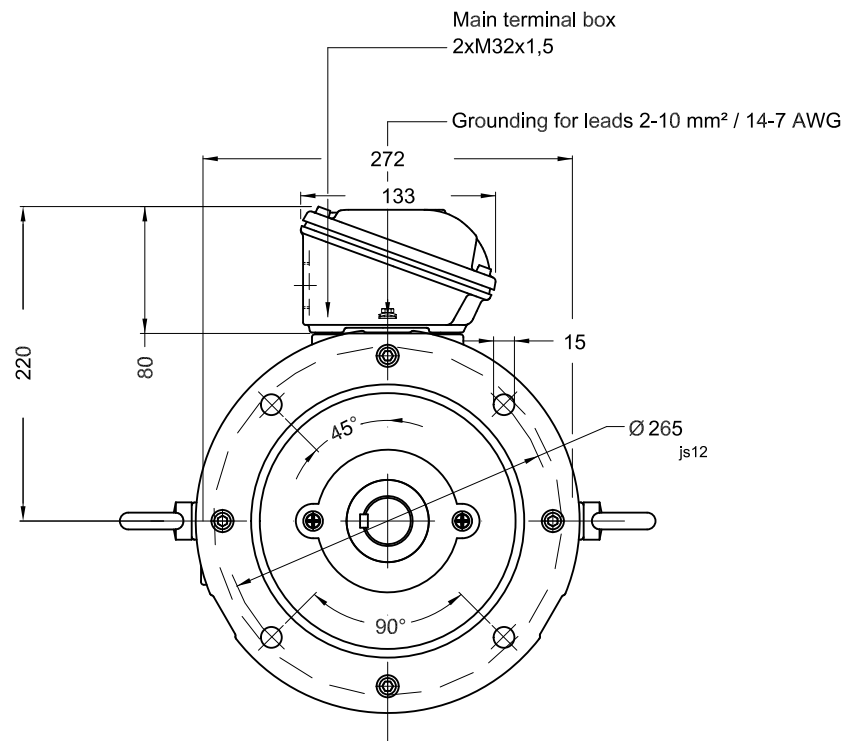
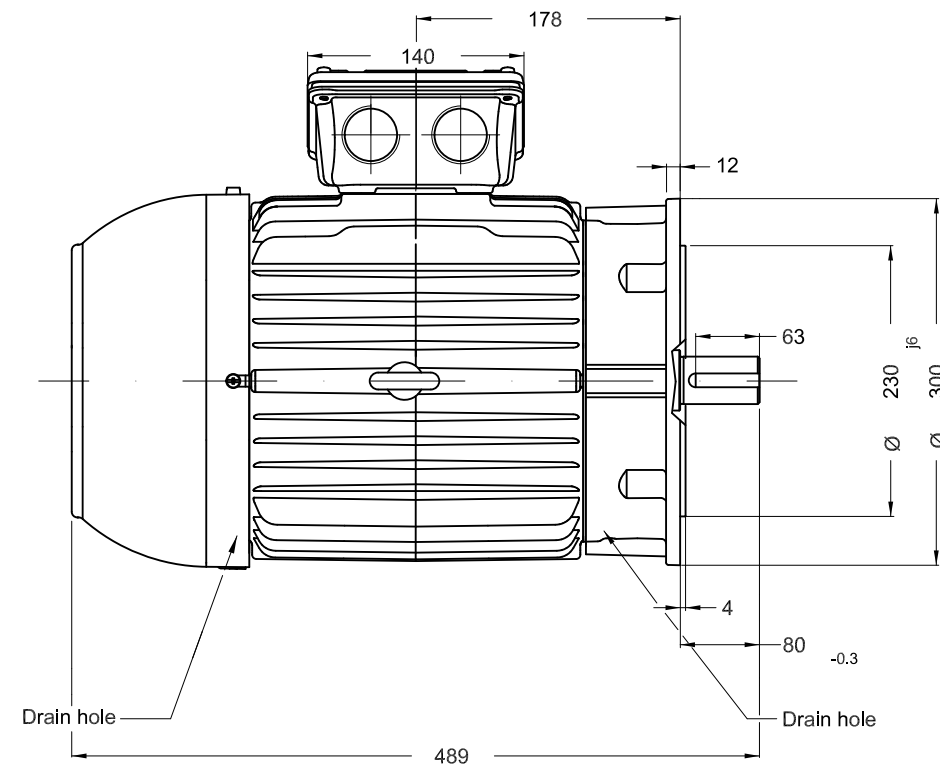


1 2 3 4 5 6

A



B

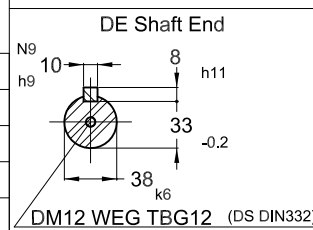


C

D

E

- Sealing - oil seal ring
- Bearing cap
- Color RAL 5009
- Painting plan 207A
- Mounting B5T



4 kW 06 Poles 50 Hz A

ECM	LOC	SUMMARY OF MODIFICATIONS	EXECUTED	CHECKED	RELEASED	DATE	VER
EXECUTED		 THREE PHASE W22 MOTOR - PREMIUM EFF FRAME 132M IP55 TEFC					
CHECKED							
RELEASED							
REL DT.							
		WMO Jaragua do Sul	Product Engineering	SHEET 1 / 1		<div style="display: flex; justify-content: space-between; align-items: center;"> PREVIEW </div>	