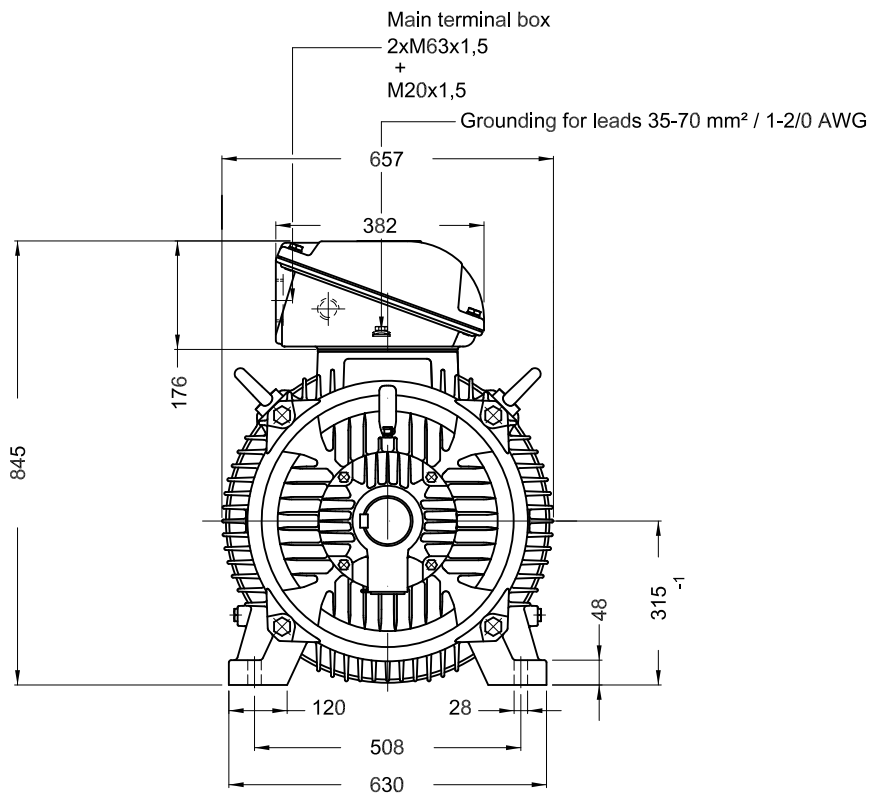
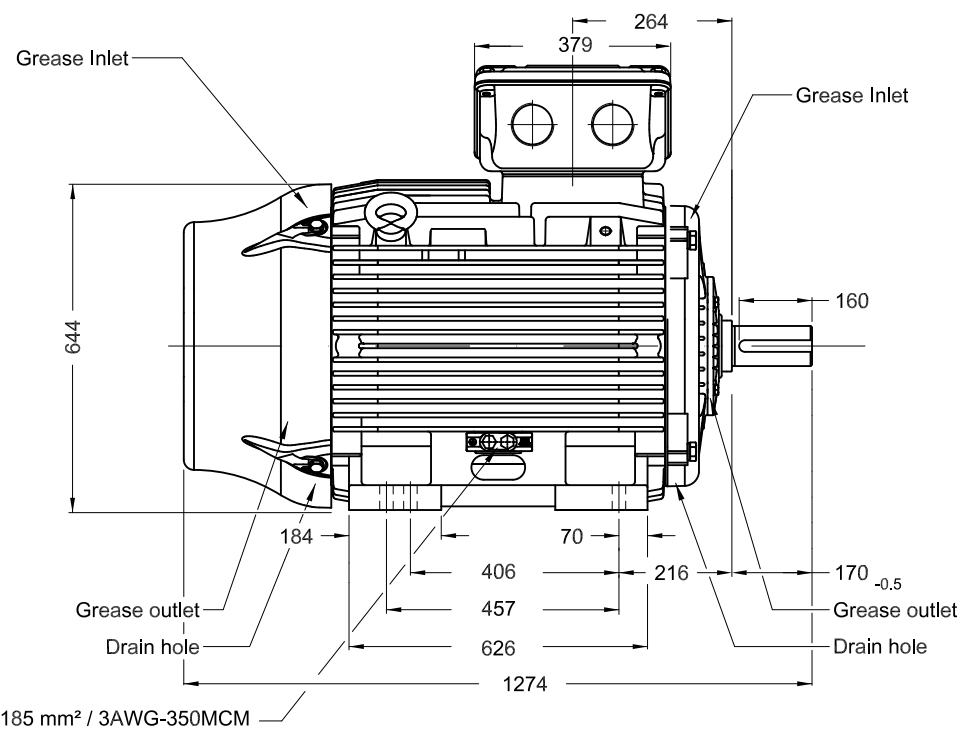


1 2 3 4 5 6

A



B

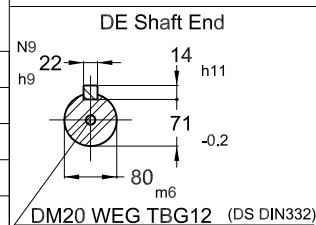


C

D

E

- Without vertical jackscrews
- NDE endshield with electrically insulated bearing hub
- Color RAL 5009
- Painting plan 203A
- Mounting B3T



132 kW 04 Poles 50 Hz A

ECM	LOC	SUMMARY OF MODIFICATIONS	EXECUTED	CHECKED	RELEASED	DATE	VER
EXECUTED		THREE PHASE W22 MOTOR - PREMIUM EFF					
CHECKED		FRAME 315S/M IP55 TEFC					
RELEASED							
REL DT.	WMO	Jaragua do Sul	Product Engineering	SHEET	1 / 1		

PREVIEW

