

1 2 3 4 5 6

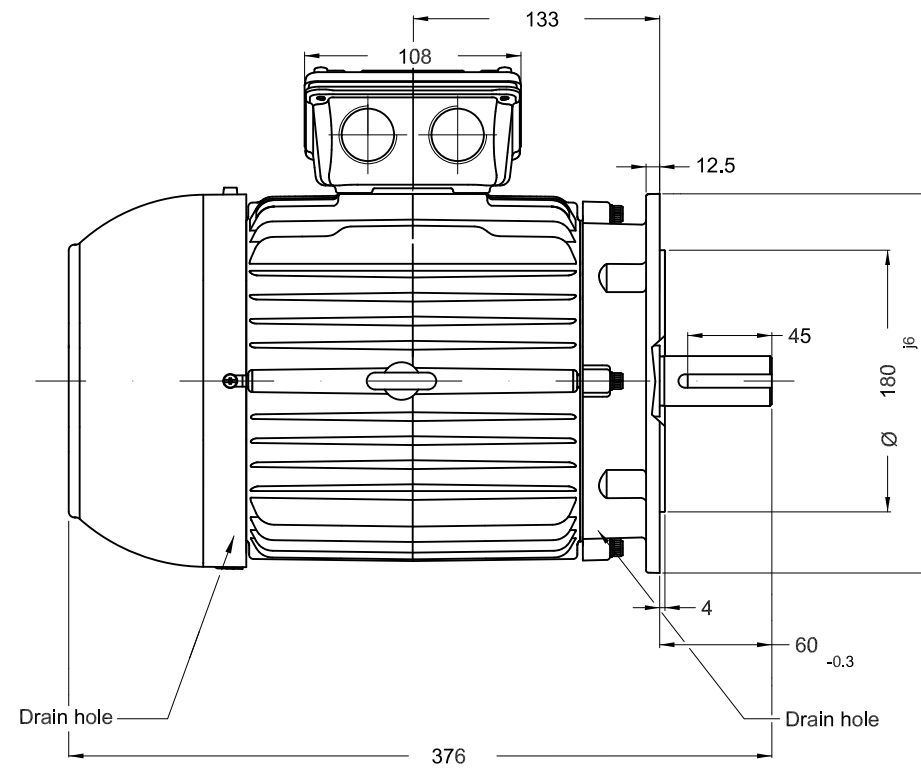
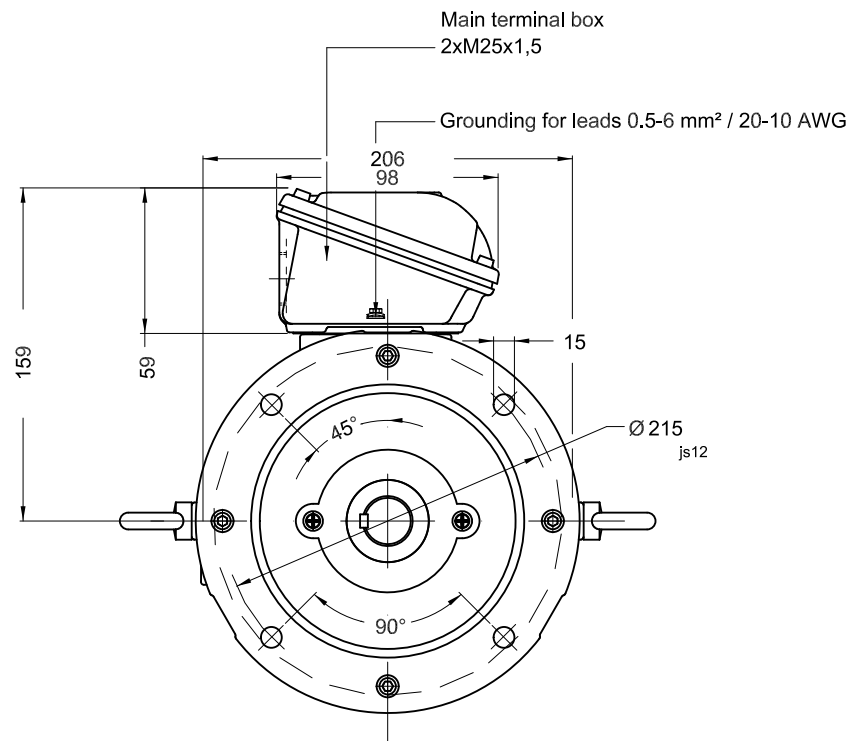
A

B

C

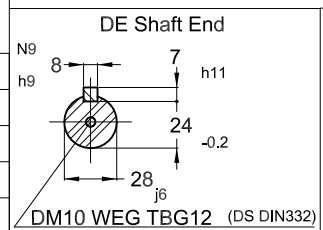
D

E



1.5 kW 06 Poles 50 Hz A

- Sealing - oil seal ring
- Bearing cap
- Color RAL 5009
- Painting plan 207A
- Mounting B5T



ECM	LOC	SUMMARY OF MODIFICATIONS	EXECUTED	CHECKED	RELEASED	DATE	VER
EXECUTED		 THREE PHASE W22 MOTOR - PREMIUM EFF FRAME 100L IP55 TEFC					
CHECKED							
RELEASED							
REL DT.							

PREVIEW



WMO Jaragua do Sul Product Engineering SHEET 1 / 1