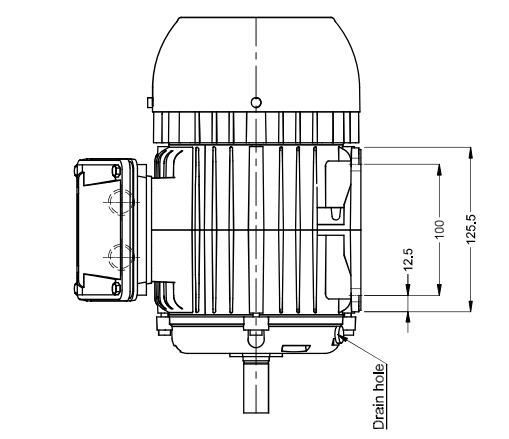
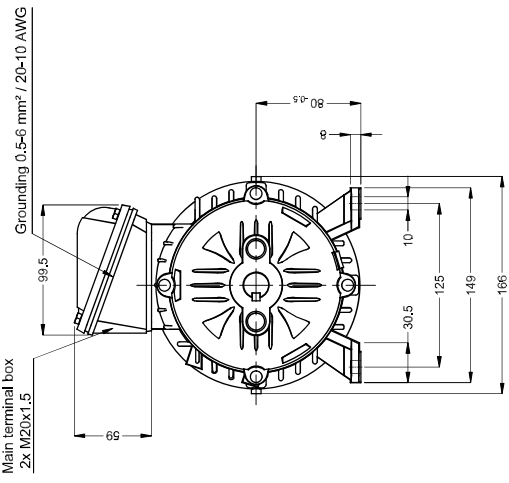
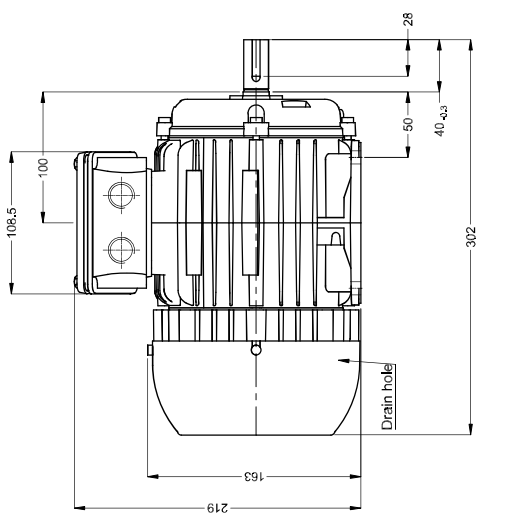


1 2 3 4 5 6



Main terminal box
2x M20x1.5
Grounding 0.5-6 mm² / 20-10 AWG

Drain hole

Drain hole

0.55 kW 06 Poles 50 Hz

Scale		1 : 4	
HYBRIS/USER	EXECUTED	CHECKED	RELEASED
ECM	LOC	SUMMARY OF MODIFICATIONS	
EXECUTED	HYBRIS/USER	THREE PH. MOTOR W22 IE3	
CHECKED		FRAME L80 IP55 TEFC	
RELEASED			
REL. DATE			

Color RAL 5009
Painting plan 207A
Mounting B3T

PREVIEW

WDD 00

SHEET 1 / 1

