

# DATASHEET

## Variable Speed Drives



### Main Features

Reference : CFW900H0760T4NB20Y2B  
 Product code : 16852716  
 Product reference : CFW900

### Basic data

Rated voltage : 380 up to 480 V  
 Input minimum-maximum voltage : 323-528 V  
 Number of phases:  
 - Input : 3  
 - Output : 3

Supply voltage range	380-480V	
	Normal Duty (ND)	Heavy Duty (HD)
Overload specification		
Rated output current	760 A	601 A
Overload output current 60 s	836 A	901 A
Overload output current 3 s	1140 A	1202 A

### Maximum applicable motor

Voltage / Frequency	Rated power (HP / kW) [1]	
	Normal Duty (ND) overload [1]	Heavy Duty (HD) overload [1]
380V / 60Hz	550 / 400	450 / 330
400V / 50Hz	600 / 440	475 / 355
440V / 60Hz	650 / 480	500 / 370
460V / 60Hz	700 / 515	550 / 400

Dynamic braking [2] : Not  
 EMC filter : Yes, emissions and immunity category C3  
 Conducted issue : Category C3  
 Link Inductor : Yes  
 Disconnect switch : Not applicable  
 Safety function : STO/SS1  
 Electronic external power : Yes (24 Vdc  $\pm$ 10%)  
 Hardware : Standard

### VSD power specifications

Line frequency : 50/60 Hz  
 Line frequency range (minimum - maximum) : 48-63 Hz  
 Phase unbalance : Less or equal to 3% of input rated line voltage  
 Transient voltage and overvoltage : Category III

### Three-phase input rated current:

- Three-phase input current ND : 760 A  
 - Three-phase input current HD : 601 A  
 Typical input power factor : 0.93  
 Displacement factor : > 0.98  
 Rated efficiency :  $\geq$  98%  
 Efficiency class : IE2  
 Maximum connections (power up cycles - on/off) per hour : 60

Direct current power supply : Allow, specified input DC voltage range: 436 up to 800 Vdc

### Standard switching frequency:

- Rated switching frequency ND : 2 kHz  
 - Rated switching frequency HD : 2 kHz  
 Selectable switching frequency : 1 to 7 kHz  
 Memory card : MicroSD (card not included)  
 Real-time clock : Yes, on the control board  
 Copy Function : Yes, by microSD card or WPS

### Dissipated power

Inverter part	380-480V	
	Normal Duty (ND)	Heavy Duty (HD)
Complete inverter	7778 W	6093 W
Front part of the inverter [3]	1413 W	1241 W



### VSD control specifications

#### Motor control / performance data

##### Control types:

- Control method - induction motor	: Scalar, VVW, Vector with and without encoder
- Control type - PM motor	: VVW
Control output frequency [5]	: 0-250 Hz
Frequency resolution	: Equivalent to 1 rpm
Encoder interface	: Yes (input A/B, 24V, 32kHz)
Encoder accessory	: CFW900-ENC-01: ABZ, 5-30 V, 310 kHz (not included)

#### Induction motor

##### Scalar control:

- Speed regulation	: 1% of rated speed
- Speed variation	: 1:20

##### VVW control:

- Speed regulation	: 1% of rated speed
- Speed variation	: 1:30

##### Sensorless vector control:

- Speed regulation	: 0,5% of rated speed
- Speed variation	: 1:100

##### Vector control with encoder:

- Speed regulation	: 0,05% of rated speed
- Speed variation	: Up to 0 rpm

#### Permanent magnet motor

##### VVW control:

- Speed regulation	: 0.05% of rated speed
- Speed variation	: 1:10

#### General control specification

##### Power supply available to the user:

- Output voltage	: 24 Vdc $\pm$ 10%
- Maximum capacity [4]	: 0,75 A
Backplane	: CFW900-4SLOTS (Total slots for function expansion: 4).

##### Control modules assembled on the VSD:

- Slot A	: CFW900-REL-01
- Slot X	: CFW900-IOS

#### Inputs and outputs

##### Analog inputs [CFW900-IOS (Slot X) - included]

Quantity (standard)	: 2
Levels	: -10/0 to 10V; 0/4 to 20mA

##### Impedance:

- Impedance for voltage input	: 400 k $\Omega$
- Impedance for current input	: 250 $\Omega$
Function	: Programmable
Maximum allowed voltage	: $\pm$ 30 Vcc

##### Digital inputs [CFW900-IOS (Slot X) - included]

Quantity (standard)	: 6
Type	: Configurable, NPN or PNP
Maximum low level	: 5 V (DI1 to DI6)
Minimum high level	: 11 V (DI1 to DI4) and 15 V (DI5/DI6)
Input current	: 11 mA
Maximum input current	: 13 mA
Maximum frequency	: 32 kHz (DI5/6) - Not avail. V1.xx
Function	: Programmable
Maximum allowed voltage	: 30 Vcc

# DATASHEET

## Variable Speed Drives



### Saídas analógicas [CFW900-IOS (Slot X) - included]

Quantity (standard)	: 2
Levels	: 0 to 10V, 0 to 20mA and 4 to 20mA
RL for voltage output	: 10 k $\Omega$
RL for current output	: 600 $\Omega$
Function	: Programmable

### Relay digital outputs [CFW900-IOS (Slot X) - included]

Transistor digital output	: 2 (NPN)
Maximum voltage	: 24 Vdc
Maximum current	: 40 mA
Maximum frequency	: 32 kHz (Not avail. version V1.xx)
Function	: Programmable

### Relay outputs [accessory CFW900-REL-01 (included)]

Quantity (standard)	: 2 relays NO; 1 relay NO/NC
Maximum output voltage	: 250 Vac / 30 Vdc, OVC III
Maximum current	: 2 A
Function	: Programmable

### Functional safety

Safety functions:

- Safe torque off (STO) according to IEC 61800-5-2 - Stop category 0 according to IEC 60204-1
- Safe stop 1 time controlled (SS1-t), according to IEC 61800-5-2 - Stop category 1 according to IEC 60204-1

Safety category:

- SIL 3, according to IEC 61508 / IEC 62061 / IEC 61800-5-2
- PL<sub>e</sub>, category 4, according to EN ISO 13849-1

Number of inputs: 2

### Communication

Bluetooth interface	: Yes, included in HMI
USB port	: Yes, available in HMI
RS-485 port	: Yes, included
RS-485 protocol	: Modbus RTU
Dual Ethernet port	: Yes, included
Ethernet protocol 1	: Modbus TCP
Ethernet protocol 2	: Direct cloud connection (MQTT) - Embedded drive scan
CAN port	: Yes, with CFW900-CCAN-W accessory (not included)
CAN Protocol 1	: CANOpen
CAN Protocol 2	: DeviceNet

### Available protections/faults

- Overcurrent/short circuit in the output
- Phase loss
- Under/Overvoltage on the DC link
- Overtemperature
- Motor overload
- Overload in the power module (IGBTs)
- External alarm/fault
- Braking resistor overload
- CPU or memory fault
- Phase-ground short circuit in the output

### Keypad (HMI)

Availability	: Included in the product
HMI installation	: Local (on the inverter) or remote (via cable - not included)
Number of HMI buttons	: 12
Display	: Graphic LCD
Indication accuracy	: 5% of rated current
Speed resolution	: 1 rpm
Standard HMI degree of protection	: IP65 (IEC) / UL Type 12 (UL)
Remote HMI frame	: Accessory
Remote HMI degree of protection	: IP65 (IEC) / UL Type 12 (UL)

### Ambient conditions

Degree of protection of VSD enclosure:

- Front	: IP20 (IEC) / Open-Type (UL)
- Front with accessory	: IP21 (IEC) / UL Type 1 (UL)
- Rear	: IP55 (IEC) / UL Type 12 (UL)
Pollution degree	: 2 (EN50178 and UL508C)

# DATASHEET

## Variable Speed Drives



### Temperature:

- Minimum : -10 °C / 14 °F
- Maximum (front side) : 55 °C
- Maximum (back) : 60 °C

### Current derating:

- Switching frequency of 1.5 kHz: 2%/°C from 45°C (1.1%/°F from 113°F) on the rear part.
- Switching frequency ≥ 2 kHz: 1%/°C from 40 to 45°C (0.56%/°F from 104 to 113°F) on the back and 2%/°C starting at 45°C (1.1%/°F starting at 113°F) on the rear part.

### Relative humidity (non-condensing)

- Minimum : 5%
- Maximum : 90%

### Altitude

- Rated conditions : 1000 m (3281 ft)
- Maximum allowed for operation (with derating factor) : 4000 m (13123 ft)

### Current and voltage deratings as a function of altitude:

- Current derating factor (for altitudes above rated) : 1% for each 100 m above (0,3% for each 100 ft above)
- Voltage derating factor (for altitudes above 2000 m / 6562 ft) : 1,1% for each 100 m above (0,33% for each 100 ft above)

### Sustainability Directives

- RoHS : Yes
- Conformal Coating : 3C2 (IEC 60721-3-3:2002)

### Frame size, dimensions and weight

- Size : H
- Height : 1303 mm / 51.3 in
- Width : 535 mm / 21.1 in
- Depth : 426 mm / 16.8 in
- Weight : 192 kg / 423 lb

### Mechanical installation

- Mounting position : Surface or flange
- Fixing screw : M12
- Tightening torque : 37 N.m / 27.31 lb.ft
- Allows side-by-side assembly : Yes, IP20 degree of protection
- Top : 150 mm / 5.91 in
- Bottom : 250 mm / 9.84 in
- Front : 20 mm / 0.78 in
- Between inverters (IP20) : 0 mm / 0 in
- Between inverters (IP21 or UL Type 1) : 30 mm / 1.18 in
- Allows horizontal mounting : No

### Electrical connections

	Recommended cable gauge @ 75 °C (167 °F)	Recommended tightening torque
Power supply and motor	3x 185 mm <sup>2</sup> (3x 400 AWG) ND 3x 150 mm <sup>2</sup> (3x 250 AWG) HD	60 N.m / 44.28 lb.ft
Braking	Not applicable	60 N.m / 44.28 lb.ft
Grounding	2x 95 mm <sup>2</sup> (2x 3/0 AWG)	10 N.m / 7.38 lb.ft
Control	XC1/XC2: 0.2-1.5mm <sup>2</sup> (24-16AWG) XC30: 0.2-2.5mm <sup>2</sup> (24-12AWG)	Spring push-in connection

### Additional specifications

- Maximum breaking current : Not available
- Minimum resistance for the brake resistor : Not available
- Recommended aR fuse [6] : 2X FNH3-800K-A
- Recommended aR fuse [6] : FNH3FEM-1250Y-A
- Recommended circuit breaker [6] : ABW25ES3-20
- Recommended circuit breaker [6] : UBW2500H-ELS2000-3A
- HMI battery type : CR2032
- HMI battery life expectancy : 10 years

### Power loss data according to Ecodesign Directive 2019/1781 (IEC 61800-9 standard)

- Rated supply voltage : 400 V
- Rated output current : 760 A
- Motor power : 500 kW
- Switching frequency : 2 kHz

# DATASHEET

## Variable Speed Drives



Apparent power of the inverter (S<sub>r,eq</sub>) : 526.5 kVA

VSD (CDM) power losses at the following operating points (speed, torque) [7]:

	Torque: 25%	Torque: 50%	Torque: 100%
Speed: 0%	0.6%	0.7%	1.2%
Speed: 50%	0.6%	0.8%	1.3%
Speed: 90%		0.9%	1.5%

Standby power losses: 52 W / 0.1%

Efficiency class : IE2

### Standards

Safety standards	<ul style="list-style-type: none"> <li>- UL61800-5-1 - Adjustable Speed Electrical Power Drive Systems - Part 5-1: Safety Requirements - Electrical, Thermal and Energy</li> <li>- EN 61800-5-1 - Safety requirements electrical, thermal and energy</li> <li>- EN 50178 - Electronic equipment for use in power installations</li> <li>- EN 60146 (IEC 146) - Semiconductor converters</li> </ul>
Specifications standard	<ul style="list-style-type: none"> <li>- EN 61800-2 - Adjustable speed electrical power drive systems - Part 2: General requirements - Rating specifications for low voltage adjustable frequency AC power drive systems</li> </ul>
Electromagnetic Compatibility (EMC) standards	<ul style="list-style-type: none"> <li>- EN 61800-3 - Adjustable speed electrical power drive systems - Part 3: EMC product standard including specific test methods</li> <li>- EN 55011 - Limits and methods of measurement of radio disturbance characteristics of industrial, scientific and medical (ISM) radio-frequency equipment</li> <li>- CISPR 11 - Industrial, scientific and medical (ISM) radio-frequency equipment - Electromagnetic disturbance characteristics - Limits and methods of measurement</li> <li>- EN 61000-4-2 - Electromagnetic compatibility (EMC) - Part 4: Testing and measurement techniques - Section 2: Electrostatic discharge immunity test</li> <li>- EN 61000-4-3 - Electromagnetic compatibility (EMC) - Part4: Testing and measurement techniques - Section 3: Radiated, radio-frequency, electromagnetic field immunity test</li> <li>- EN 61000-4-4 - Electromagnetic compatibility (EMC) - Part4: Testing and measurement techniques - Section 4: Electrical fast transient/ burst immunity test</li> <li>- EN 61000-4-5 - Electromagnetic compatibility (EMC) - Part4: Testing and measurement techniques - Section 5: Surge immunity test</li> <li>- EN 61000-4-6 - Electromagnetic compatibility (EMC) - Part4: Testing and measurement techniques - Section 6: Immunity to conducted disturbances, induced by radio-frequency fields</li> <li>- EN 61000-4-11 - Testing and measurement techniques - Voltage dips, short interruptions and voltage variations immunity tests</li> </ul>
Mechanical construction standards	<ul style="list-style-type: none"> <li>- EN 60529 - Degrees of protection provided by enclosures (IP code)</li> <li>- UL 50 - Enclosures for electrical equipment</li> </ul>
Ecodesign standards	<ul style="list-style-type: none"> <li>- IEC 61800-9 Parts 1&amp;2 - Adjustable speed electrical power drive systems - Ecodesign for power drive systems, motor starters, power electronics and their driven applications</li> </ul>
Functional safety standards	<ul style="list-style-type: none"> <li>- EN 61800-5-2 - Adjustable speed electrical power drive systems - Part 5-2: Safety requirements - Functional</li> <li>- EN ISO 13849-1 - Safety of machinery - Safety-related parts of control systems - Part 1: General principles for design</li> <li>- EN 62061 - Safety of machinery - Functional safety of safety-related control systems</li> <li>- IEC 61508 Parts 1-7 - Functional safety of electrical/electronic/ programmable electronic safety-related systems</li> <li>- EN 60204-1 - Safety of machinery - Electrical equipment of machines - Part 1: General requirements</li> </ul>

### Certifications

Product certification : Without

### Notes

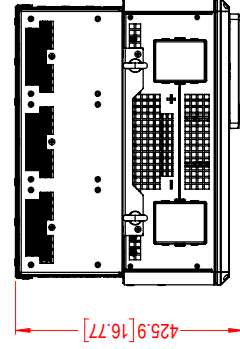
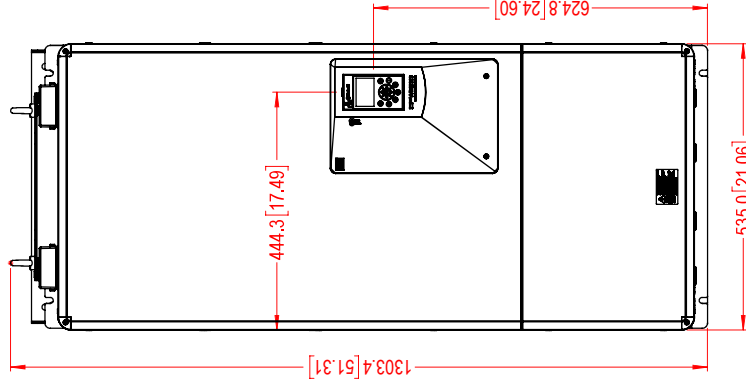
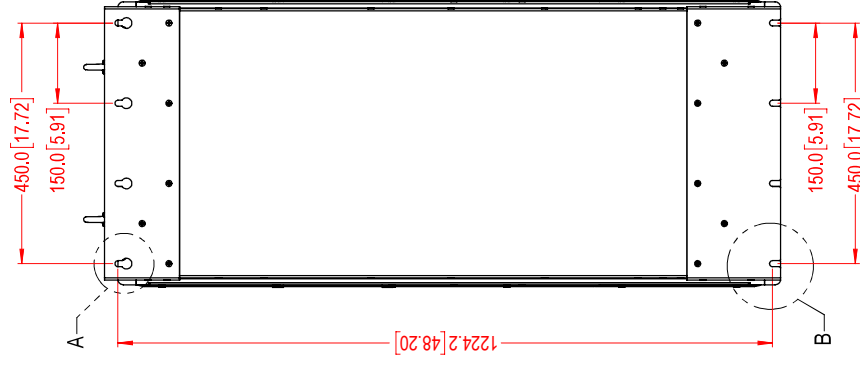
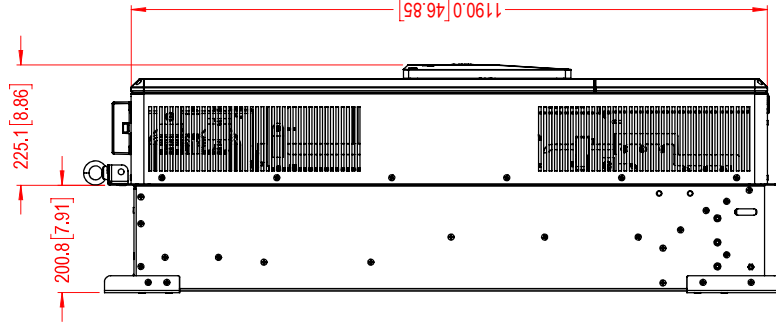
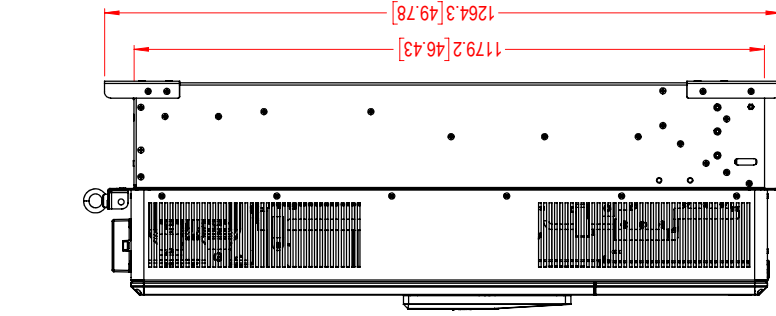
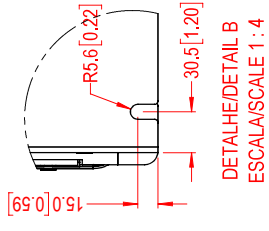
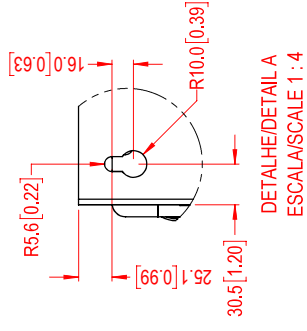
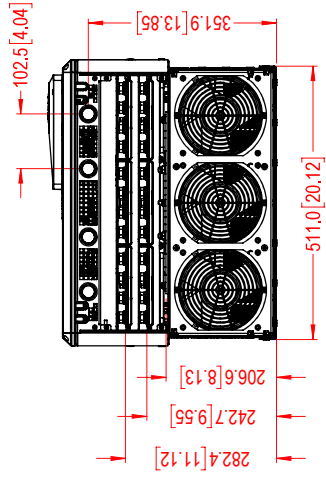
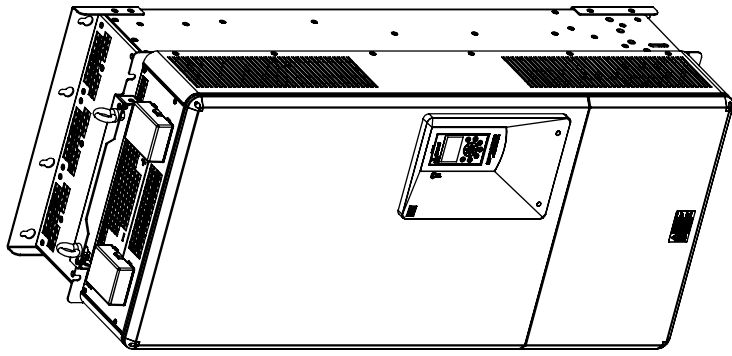
- 1) Orientative motor power, valid for WEG Motors standard of IV poles. The correct sizing must be done according to the rated current of the used motor, which must be equal or lower than the rated output current of the VSD.
- 2) Braking resistor is not included.
- 3) When VSD is flange mounted, that power losses data refer to the power losses of the front part of the VSD that is inside the cabinet (the rest of the VSD losses are outside the cabinet).
- 4) That power supply is also used to feed the control modules (accessories). Information on correct sizing is provided in CFW900 User's Manual.

# DATASHEET

## Variable Speed Drives



- 5) Typical maximum value considering the switching frequency settings as per factory default (it is possible to increase the maximum output frequency that can be generated by the VSD by increasing the switching frequency). Maximum possible value: switching frequency / 10.
- 6) There are variations to meet UL and CE standards. For further information refer to CFW900 User's Manual.
- 7) VSD power losses in relation to its rated apparent power ( $S_{r,eq}$ ).
- 8) All images are merely illustrative.
- 9) For further information refer to CFW900 User's Manual.



MASSA BRUTA/GROSS WEIGHT	kg	MASSA LÍQUIDA/NET WEIGHT	kg	ESCALA/SCALE	1:8
ECM	LOC	RESUMO DE MODIFICAÇÕES SUMMARY OF MODIFICATIONS	VERIFICADO CHECKED	LIBERADO RELEASED	DATA DATE
EXEC		CFW900	EXECUTADO EXECUTED		VER
LIBER/RELEASED		MEC H/SIZE H			
DT LIBER/RELEDT					
45017283			FOLHSHEET 1 / 1		
00			00		

