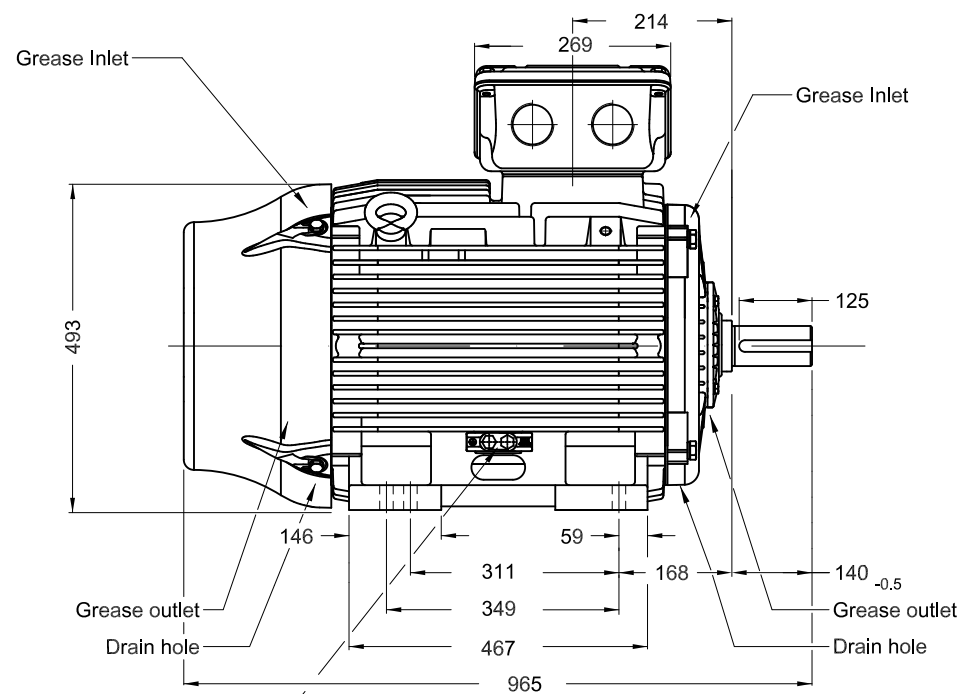
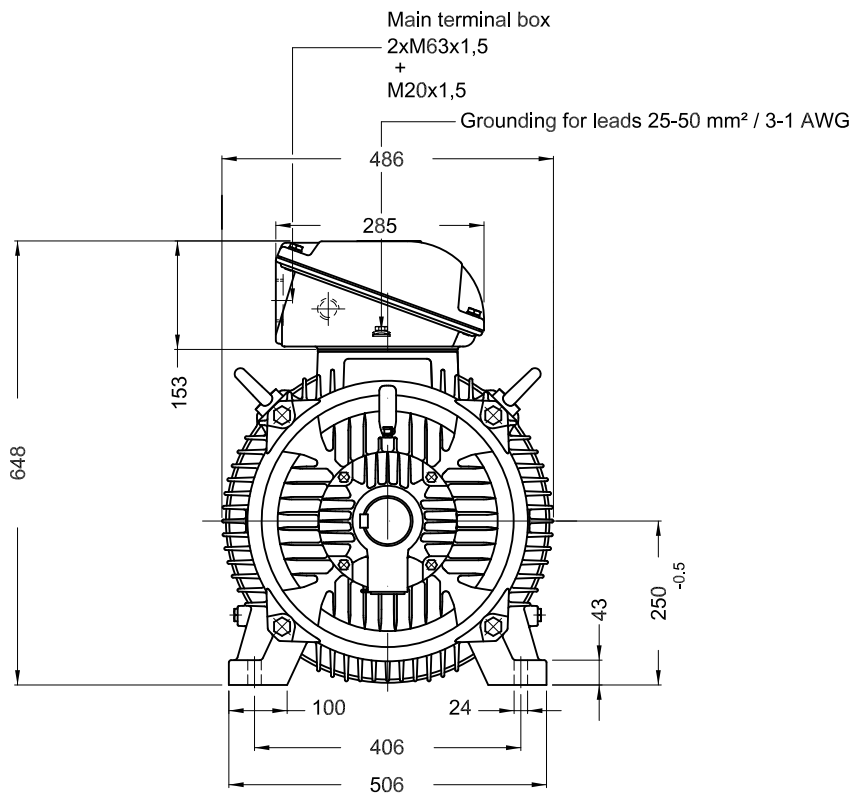


1 2 3 4 5 6

A

B

C

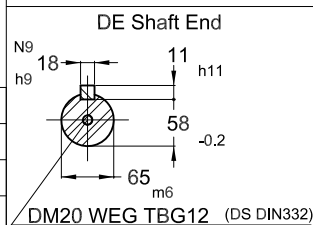


Grounding for leads 25-185 mm<sup>2</sup> / 3AWG-350MCM

D

E

Without vertical jackscrews  
Color RAL 5009  
Painting plan 203A  
Mounting B3T



55 kW 04 Poles 50 Hz

A

ECM	LOC	SUMMARY OF MODIFICATIONS	EXECUTED	CHECKED	RELEASED	DATE	VER
EXECUTED		THREE PHASE W22 MOTOR - PREMIUM EFF					
CHECKED		FRAME 250S/M IP55 TEFC					
RELEASED							
REL DT.	WMO	Jaragua do Sul	Product Engineering	SHEET	1 / 1		

PREVIEW

