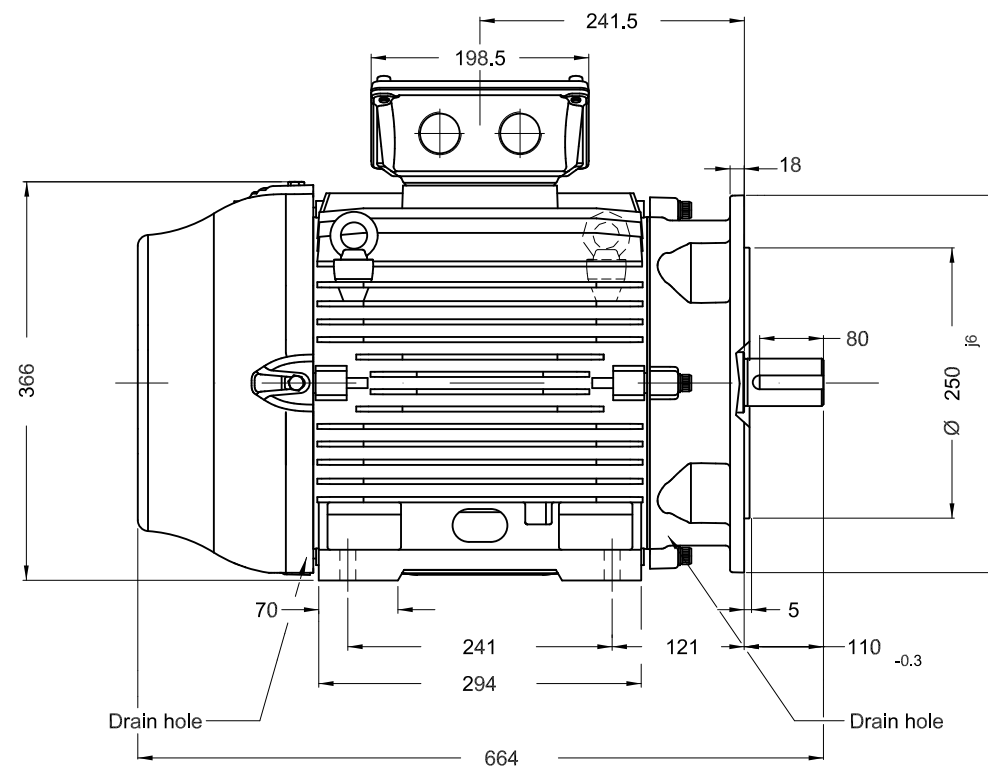
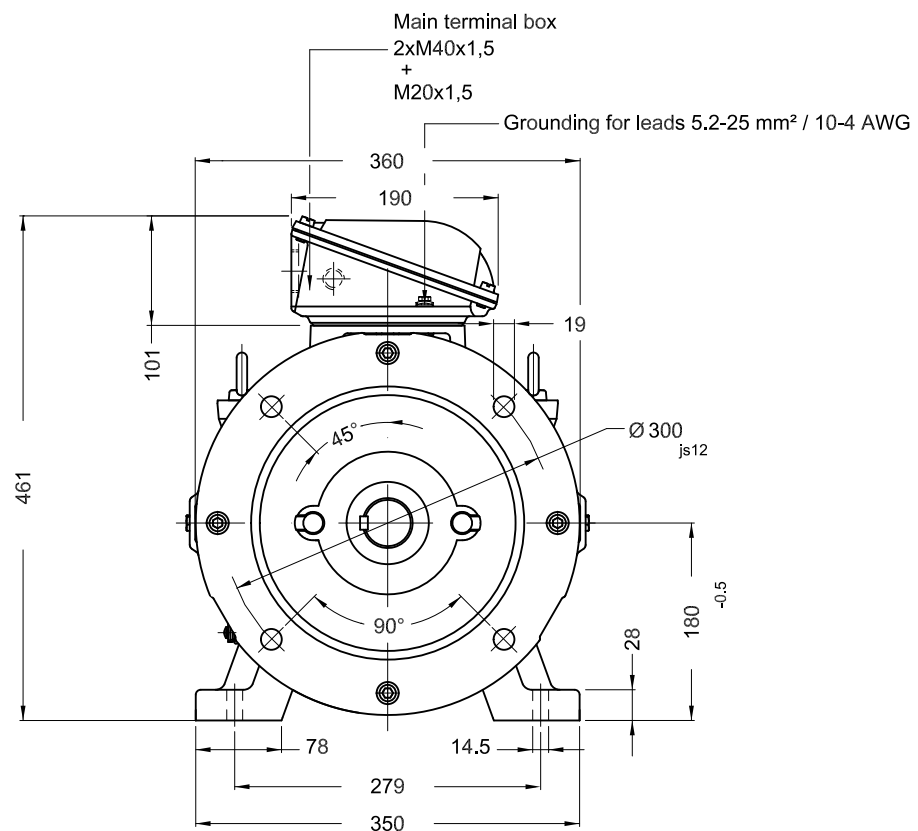


1 2 3 4 5 6

A

B

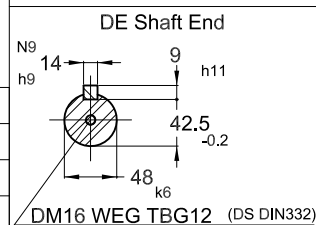
C



D

E

Sealing - oil seal ring
Color RAL 5009
Painting plan 203A
Mounting B35T



18.5 kW 04 Poles 50 Hz A

ECM	LOC	SUMMARY OF MODIFICATIONS	EXECUTED	CHECKED	RELEASED	DATE	VER
EXECUTED	USERADMIN	THREE PHASE W22 MOTOR - PREMIUM EFF					
CHECKED		FRAME 180M IP55 TEFC					
RELEASED							
REL DT.	WMO	Jaragua do Sul	Product Engineering	SHEET	1 / 1		

PREVIEW
WDD

