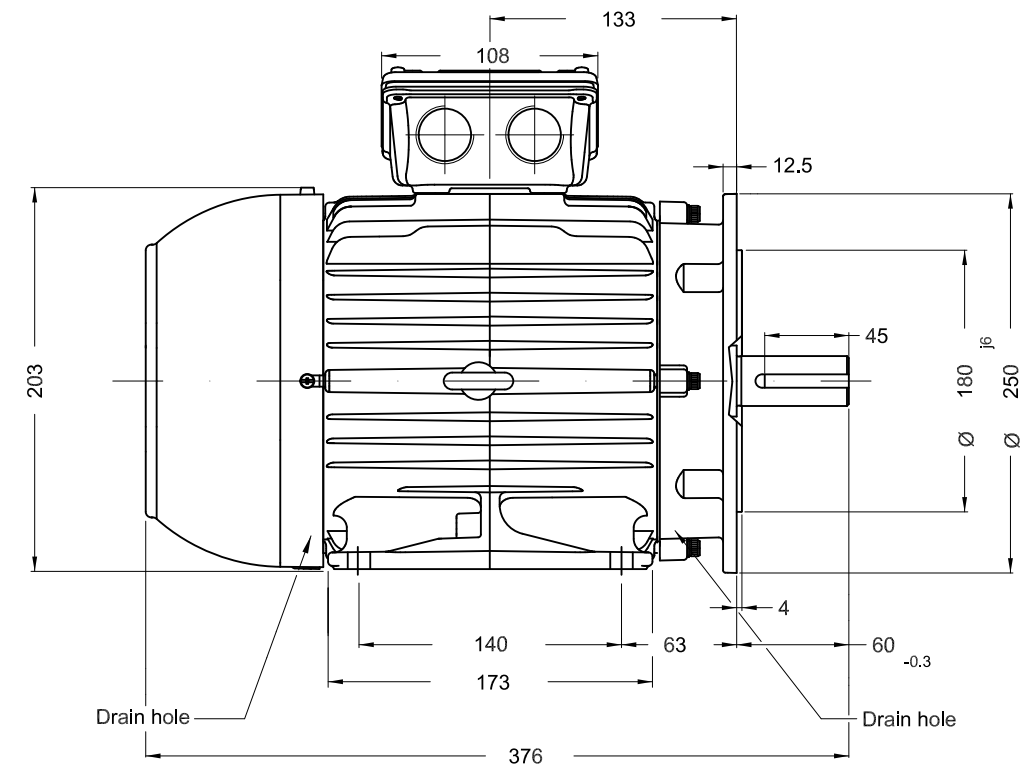
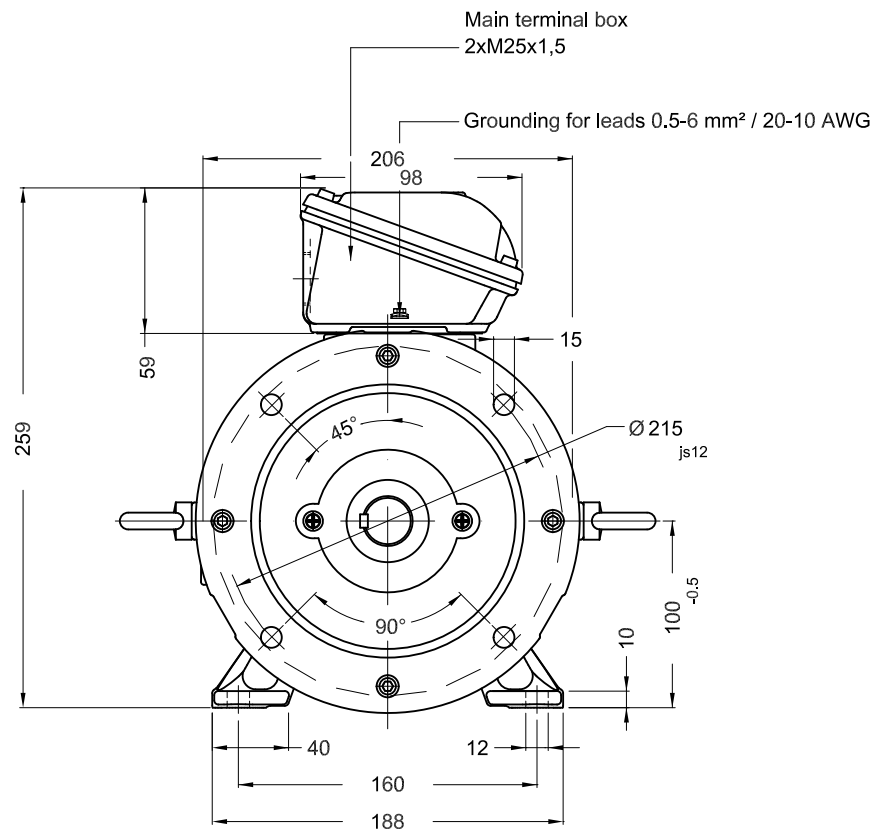


1 2 3 4 5 6

A

B

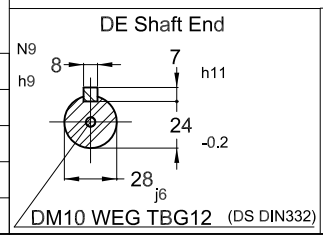
C



D

E

- Sealing - oil seal ring
- Bearing cap
- Color RAL 5009
- Painting plan 207A
- Mounting B35T



3 kW 02 Poles 50 Hz A

ECM	LOC	SUMMARY OF MODIFICATIONS	EXECUTED	CHECKED	RELEASED	DATE	VER
EXECUTED	USERADMIN	THREE PHASE W22 MOTOR - PREMIUM EFF FRAME 100L IP55 TEFC					
CHECKED							
RELEASED							
REL DT.		WMO Jaragua do Sul	Product Engineering	SHEET 1 / 1			

PREVIEW

WDD

Dimensions in mm XME A3