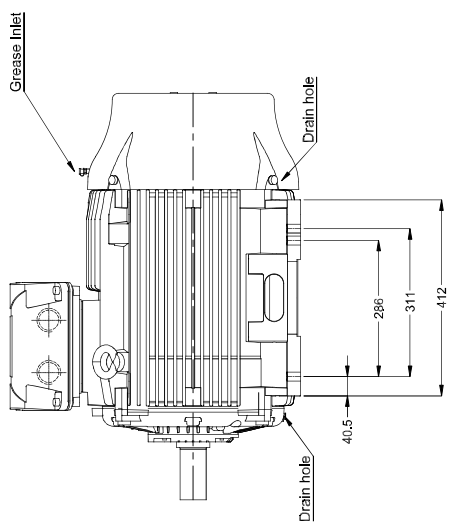
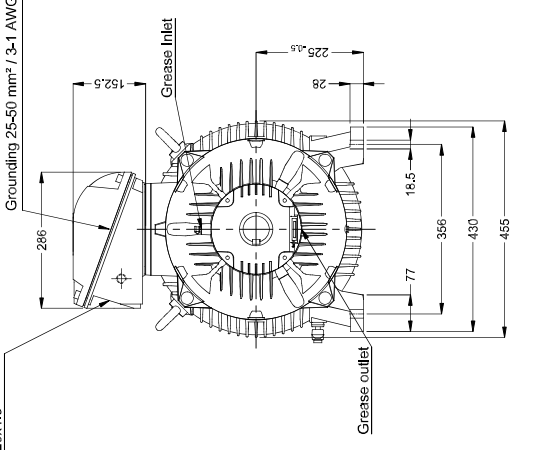
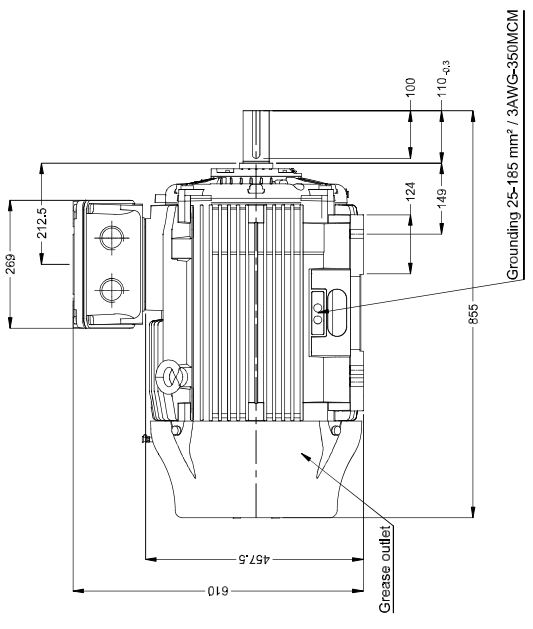
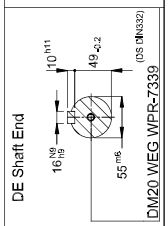


Main terminal box
2x M50x1.5
+
M20x1.5



45 kW 02 Poles 50 Hz

Scale		1 : 11	
HYBRIS/USER	EXECUTED	CHECKED	RELEASED
DATE	VER	00	00
PREVIEW			
WDD		00	
SHEET		1 / 1	
SUMMARY OF MODIFICATIONS			
THREE PH. MOTOR W22 IE3			
FRAME 225S/M IP55 TEFC			
ECM	LOC		
EXECUTED	HYBRIS/USER		
CHECKED			
RELEASED			
REL. DATE			



Color RAL 5009
Painting plan 203A
Mounting B3T

